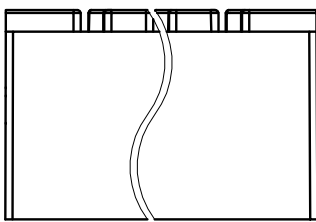
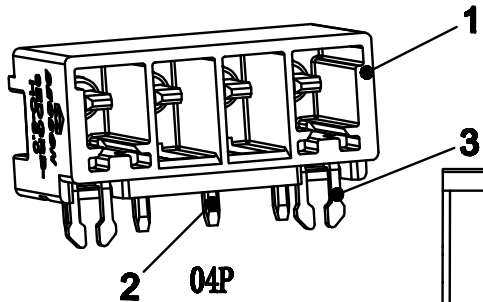


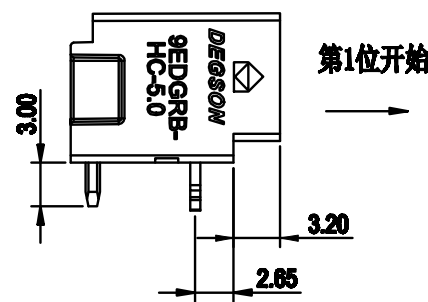
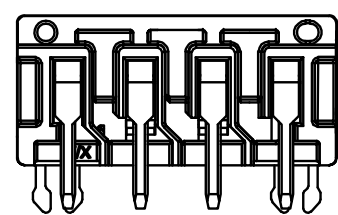
公差表/General tolerances(mm)												
0	>3	>6	>10	>18	>30	>50	>80	>120	>180	>250	>315	>400
~3	~6	~10	~18	~30	~50	~80	~120	~180	~250	~315	~400	~500
±0.12	±0.18	±0.22	±0.26	±0.31	±0.37	±0.57	±0.80	±0.93	±1.05	±1.15	±1.60	±2.20
												±2.50

0.1/10  
±2'

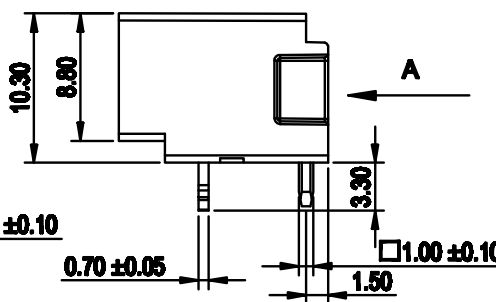
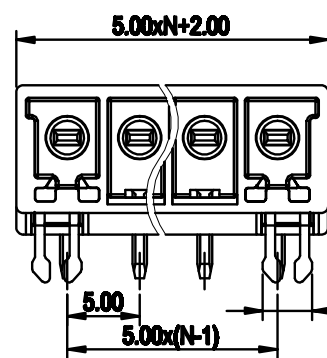
UL 标准/UL Standard:	B	C	D
额定电压/电流/Rated Voltage (V)/Current(A)	300/20	/	300/10
UL 标准/UL Standard:	F(III/3)	/	/
额定电压/电流/Rated Voltage (V)/Current(A)	300/20	/	/
额定脉冲电压 (KV)/Rate Impulse Voltage(KV)	4	/	/
IEC 标准/IEC Standard:			
过压类别/Overvoltage Category/污染等级/Pollution Degree	III/3	III/2	II/2
额定电压/电流/Rated Voltage (V)/Current(A)	500/20	/	/
额定脉冲电压 (KV)/Rate Impulse Voltage(KV)	4	/	/
间距/Pitch(mm)/线数范围/Poles	5.00/N=02P/04P/10P		
使用温度范围/Operating temperature(°C)	-40~+105		
符合RoHS环保要求/Conform to RoHS	Yes		



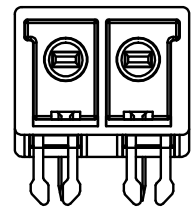
视图 A



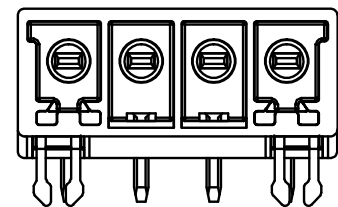
第1位开始



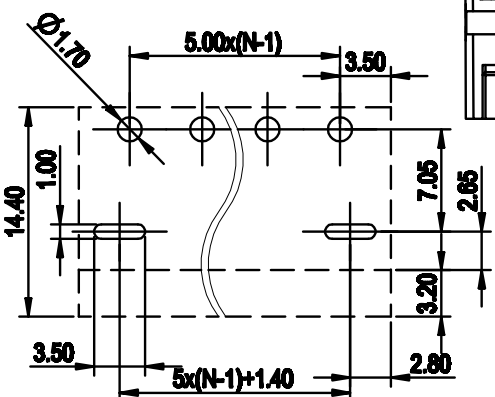
02P



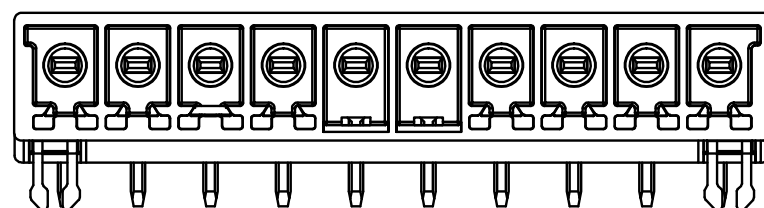
04P



PCB LAYOUT



10P



ITEM	NAME OF PART	MATERIAL	NOTES
3	Fixed foot	Steel	Sn Plated
2	Pin	Copper	Sn Plated
1	Housing	PA66	UL94V-0

Note: The A&Z(H) in the name means:A(H) and Z(H)

		MATERIAL: PA66	SURFACE/COLOR: -
APFD: 董贵凡 2022.09.14 CHD: 曹利峰 2022.09.14 DWT: 汪俊峰 2022.09.14		REV NO./REV: - / 00	REV STATUS: 小批量
NAME: 9EDGRB-HC-5.0-XXP-1Y-00AZ(H)			
DRAWING NO. 2000109963	TYPE CUSTOMER DRAWING	DRAWING STATUS 已放行	SCALE 2:1 SHEET 1/1

REV	ECN	DESCRIPTION	DRFT	DATE
00	/	/	汪俊峰	2022.09.14

The number or duplication of this document or part of the information or representation of the contents may be printed without explicit authorization in general. Violation will be liable for compensation. All rights reserved for patent, utility model or design registration. 未经授权，禁止复制或传播本文件内容。如有违反，侵权必究。