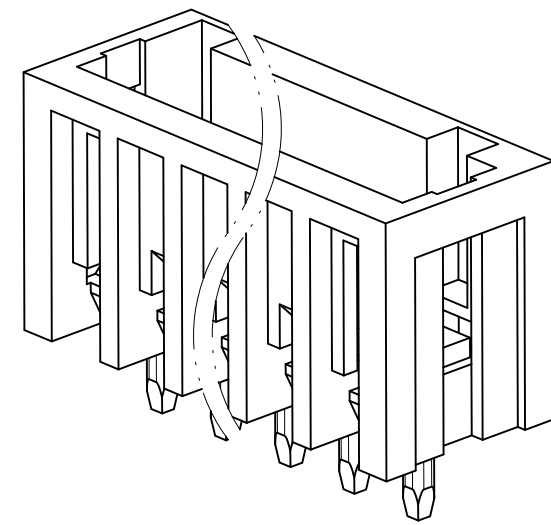
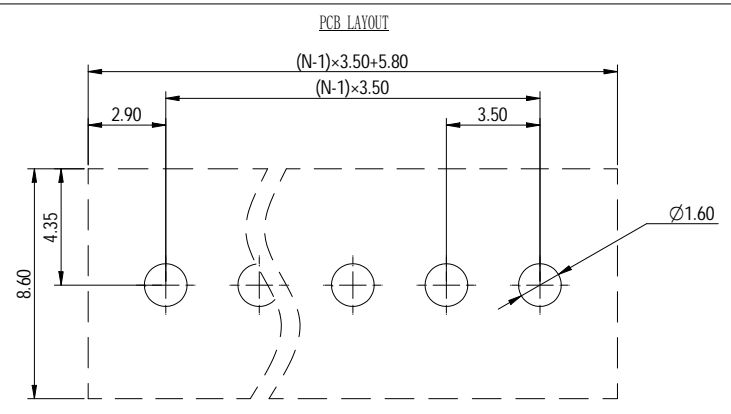
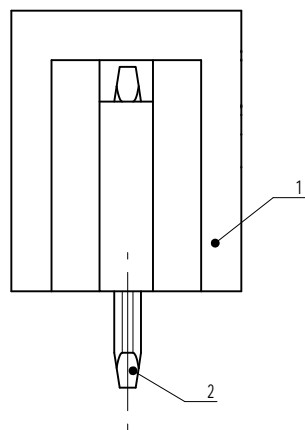
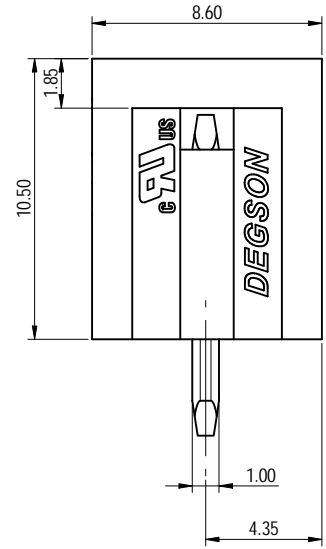
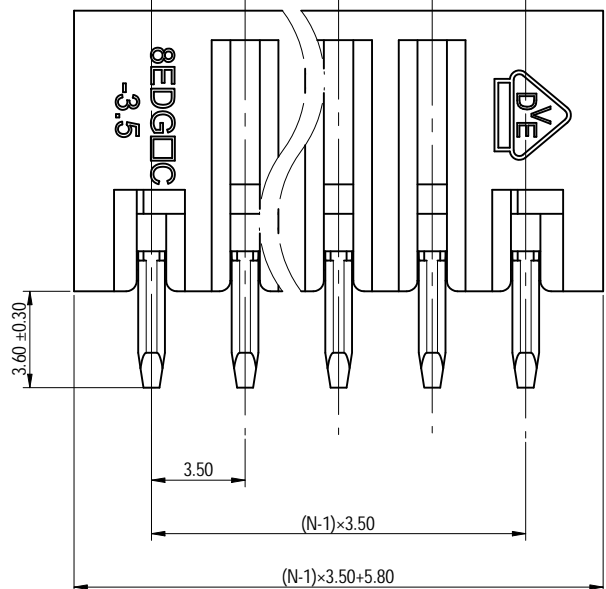
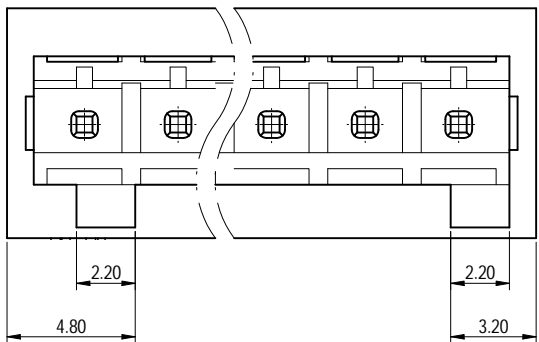


公差/General tolerances (mm)											D			
0	>3	>6	>10	>18	>30	>50	>80	>120	>180	>250	>315	>400	>500	0.1/10
~	3	6	10	18	30	50	80	120	180	250	315	400	500	N
													±2	



please refer to the 3D model, for those unmarked dimensions



Note: The A&Z(H) in the name means:A(H)and Z(H).

2	Pin header	Copper	Sn Plated
1	Housing	PA66	UL94V-0
ITEM	NAME OF PART	MATERIAL	NOTES

UL 标准/UL Standard:		B	C	D
额定电压/电流/Rated Voltage(V)/Current(A)		300/10	/	300/10
IEC 标准/IEC Standard:				
过压类别/Overvoltage Category/污染等级/Pollution Degree		III/3		
额定电压/电流/Rated Voltage(V)/Current(A)		130/10		
额定脉冲电压(KV)/Rate Impulse Voltage(KV)		2.5		
间距/Pitch(mm)/线数范围/Poles		3.50/N=02~24P		
使用温度范围/Operating temperature(°C)		-40~+105		
符合RoHS环保要求/Conform to RoHS		Yes		

DEGSON		MATERIAL:		SURFACE/COLOR:	
APPD: 蓝美凡	2022.11.11	MAT NO./REV:	- / 00	MAT STATUS: 批量	
CHKD: 曹利影	2022.11.09	NAME: 8EDGVC-3.5-XXP-1Y-01A&Z(H)			
DRFT: 姜民浩	2022.11.09	DRAWING NO.	TYPE	DRAWING STATUS	SCALE
		200119327	CUSTOMER DRAWING	已发布	5:1
REV	ECN	DESCRIPTION	DRFT	DATE	SHEET
00			姜民浩	2022.11.09	1/1

Transfer or duplication of this document as well as the utilization of its contents without the written permission of DEGSON is prohibited. All rights reserved for patent.