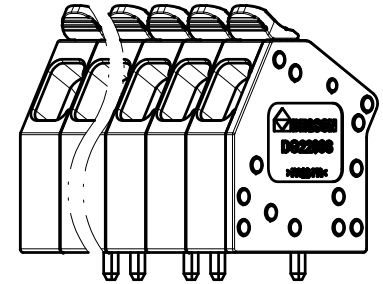
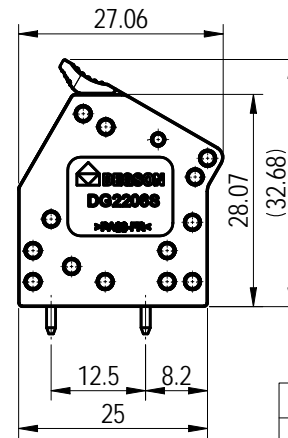
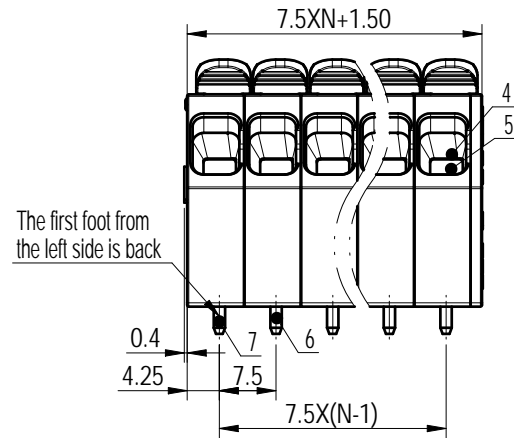
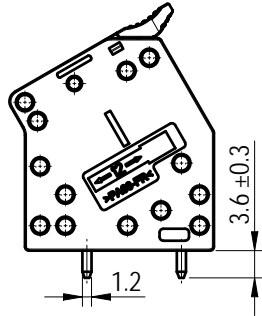
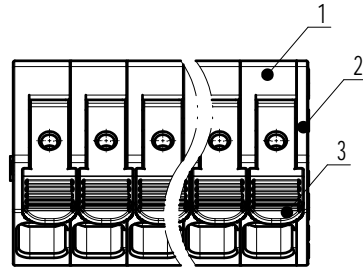
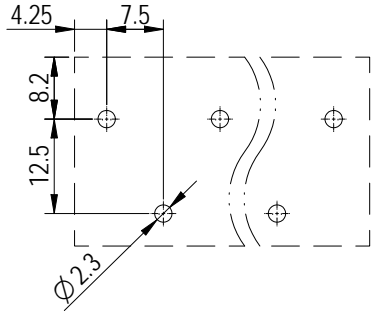


PCB LAYOUT



未注公差/General tolerances (mm)												0.1/10	
0	>3	>6	>10	>18	>30	>50	>80	>120	>180	>250	>315		>400
~3	~6	~10	~18	~30	~50	~80	~120	~180	~250	~315	~400	~500	>500
±0.12	±0.18	±0.22	±0.26	±0.31	±0.37	±0.57	±0.80	±0.93	±1.05	±1.15	±1.60	±2.20	±2.50

UL 标准/UL Standard:	B	C	D
额定电压/电流/Rated Voltage(V)/Current(A)	600/41	600/41	/
IEC 标准/IEC Standard:			
过压类别/Overvoltage Category/污染等级/Pollution Degree	III/3	III/2	II/2
额定电压/电流/Rated Voltage(V)/Current(A)	800/41	1000/41	1000/41
额定脉冲电压(KV)/Rate Impulse Voltage(KV)	8	8	8
线径范围(硬线和软线)/Wire Range(rigid and flexible)(AWG/mm ²)	24~8 / 0.2~10		
间距/Pitch(mm)/线数范围/Poles	7.5/N=02~12P		
剥线长度/Stripping length(mm)	11~13		
使用温度范围/Operating temperature(°C)	-40~+105		
符合RoHS环保要求/Conform to RoHS	Yes		

ITEM	NAME OF PART	MATERIAL	NOTES
7	Back Pin header	Copper	Sn Plated
6	Fornt Pin header	Copper	Sn Plated
5	Spring	Stainless steel	/
4	Block	Stainless steel	/
3	Lever	PA66-GF	UL94V-0
2	Cover	PA66	UL94V-0
1	Housing	PA66	UL94V-0

		MATERIAL:		SURFACE/COLOR:	
		MAT NO./REV: / 00		MAT STATUS: 设计放行	
APPD: 兰春华	2023.01.28	NAME			
CHKD: 陈招	2023.01.28	DG2206S-7.5-DB-XXP-1Y-00Z (H)			
DRFT: 陈招	2023.01.28	DRAWING NO.	TYPE	DRAWING STATUS	SCALE
		200126741	CUSTOMER DRAWING	已发布	1:1
					SHEET 1/1

REV	ECN	DESCRIPTION	DRFT	DATE
00			陈招	2023.01.28

Transfer or duplication of this document as well as the utilization or communication of its contents are prohibited unless explicit authorization is granted. Violations will be liable for compensation. All rights reserved for patent, utility model or design registrations. 除专利等明确授权外, 复制、引用、交流本文档内容均受法律保护, 未经授权复制或传播, 公司将保留追究法律责任的权利。