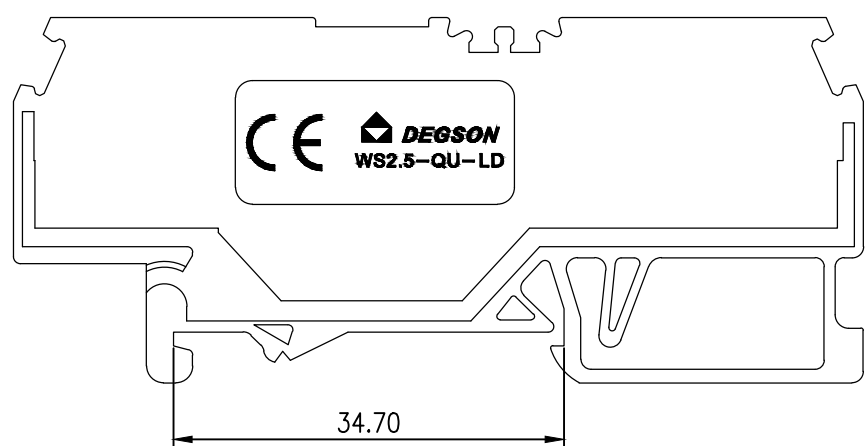
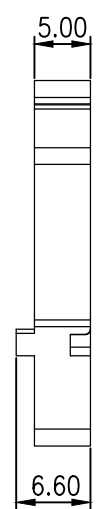
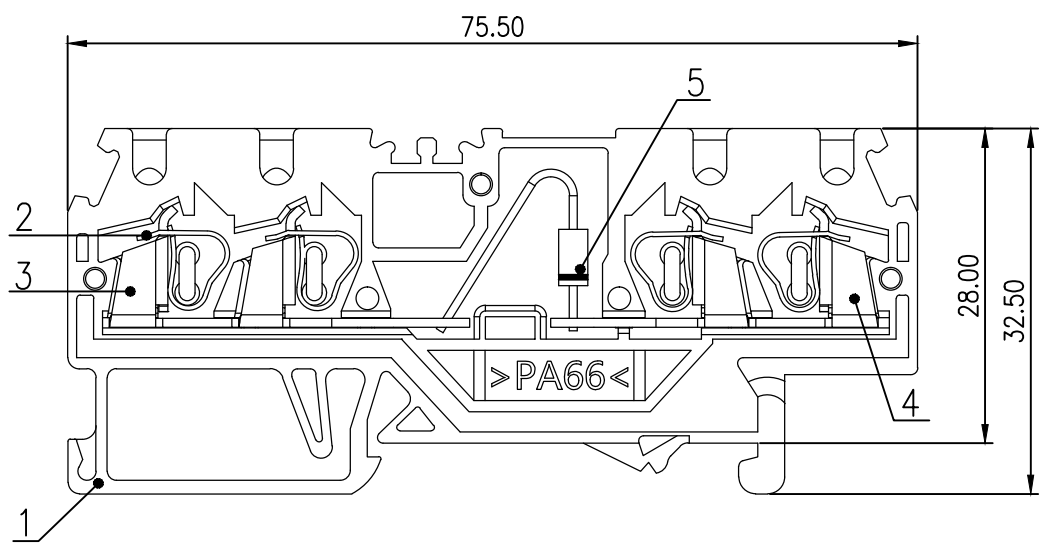
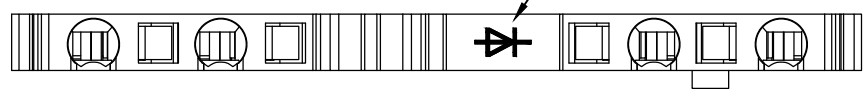


未注公差/General tolerances(mm)														
0	>3	>6	>10	>18	>30	>50	>80	>120	>180	>250	>315	>400	0.1/10	
~3	~6	~10	~18	~30	~50	~80	~120	~180	~250	~315	~400	~500		
±0.12	±0.18	±0.22	±0.26	±0.31	±0.37	±0.57	±0.80	±0.93	±1.05	±1.15	±1.60	±2.20	±2.50	±2'

UL 标准/UL Standard:	B	C	D
额定电压/电流/Rated Voltage(V)/Current(A)	/	/	/
IEC 标准/IEC Standard:			
过压类别/Overvoltage Category/污染等级/Pollution Degree	III/3	III/2	II/2
额定电压/电流/Rated Voltage(V)/Current(A)	250/0.5	/	/
最大逆向耐压/Reverse Voltage(V)	1000	/	/
线径范围(硬线和软线)/Wire Range(rigid and flexible)(mm <sup>2</sup> /AWG)	0.2~2.5/28~14		
间距/Pitch(mm)	5.0		
剥线长度/Stripping length(mm)	9		
使用温度范围/Operating temperature(°C)	-40~+105		
符合RoHS环保要求/Conform to RoHS	Yes		

Printing,Black



5	Diode		1N4007
4	Current carrier 2	Copper	Sn plated
3	Current carrier 1	Copper	Sn plated
2	Spring	Stainless steel	
1	Housing	PA66	UL94V-0
ITEM	NAME OF PART	MATERIAL	NOTES

MATERIAL: /	SURFACE: /		
MAT NO.: /	宁波高松电子有限公司 NINGBO DEGSON ELECTRICAL CO., LTD		
STATUS: /			
APPD: LiGL 2020.05.28	NAME: WS2.5-QU-LD-01P-1Y-104A(H)		
CHKD: MaoJ 2020.05.28			
DRFT: Cen Ch 2020.05.28	DRAWING NO.: 11000189	REV	DO-1
⊕	SIZE: A4	TYPE: CUSTOMER DRAWING	SCALE: 1.5:1 SHEET 1/1

REV	ECN	DESCRIPTION	DRFT	DATE