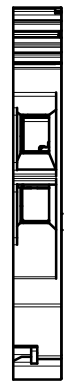
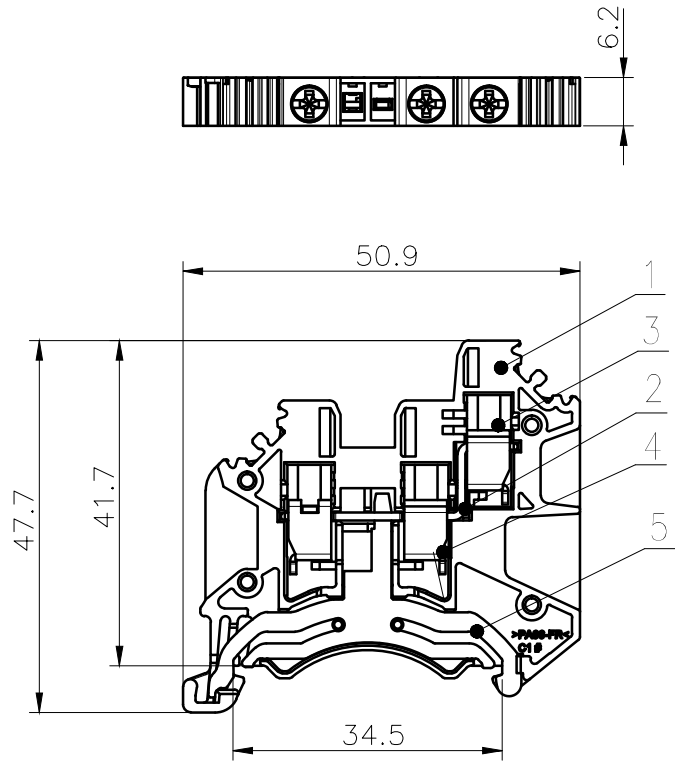
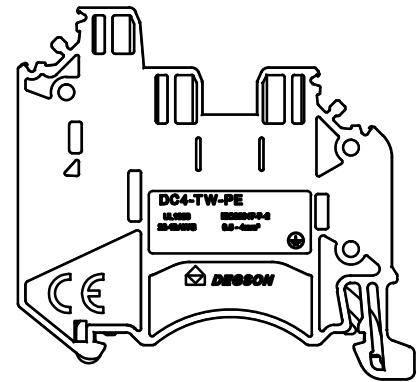


Inventor or copyright owner's consent is required in order to make a copy of this document, in whole or in part, for any purpose other than personal or internal use, without the express written permission of Degson Electronics Co., Ltd. All rights reserved by Degson Electronics Co., Ltd.



未注公差/General tolerances(mm)												
0	>3	>6	>10	>18	>30	>50	>80	>120	>180	>250	>500	D 0.05/0 Z ±**
±0.08	±0.12	±0.18	±0.22	±0.28	±0.31	±0.37	±0.50	±0.63	±0.80	±1.00	±2.00	

UL 标准/UL Standard:			B	C	D
额定电压/额定电压(Rated Voltage(V)/Current(A))			/	/	/
IEC 标准/IEC Standard:					
过压类别/Overvoltage Category/污染等级/Pollution Degree			III/3	III/2	II/2
额定电压/额定电压(Rated Voltage(V)/Current(A))			/	/	/
额定脉冲电压(KV)/Rated Impulse Voltage(KV)			6		
螺丝扭矩/Torque Tightening(N·m/Lb.in)			M3, 0.66/6.0		
线径范围(硬线和软线)/Wire Range(rigid and flexible)(AWG)			22~10 / 0.5~4		
间距/Pitch(mm)/线数范围/Poles			6.1/01P		
剥线长度/Stripping length(mm)			8~9		
使用温度范围/Operating temperature(°C)			-40~+105		
符合RoHS环保要求/Conform to RoHS			Yes		



5	Grounding body	Copper alloy	Sn Plated
4	Cage	Steel	Zn Plated
3	Screw	Steel	M3/Zn Plated
2	Current carrier	Copper	Sn Plated
1	Housing	PA66	UL94V-0
ITEM	NAME OF PART	MATERIAL	NOTES

		MATERIAL:		SURFACE:	
A*P: Li GL 2022.09.20		MAT NO./REV: /		MAT STAJS:	
C*H: D: Ma EK 2022.09.20		DC4-TW-PE-01P-1C-00A(H)			
D*FT: Li HL 2022.09.20		DRAWING NO.		DRAWING STATUS	
A4		TYPE		SCALE	
				1:1	
				SHEET 1/1	

REV	ECN	DESCRIPTION	DRFT	DATE