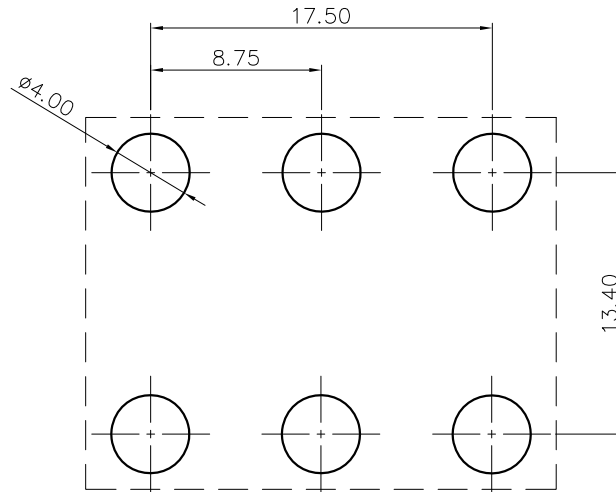
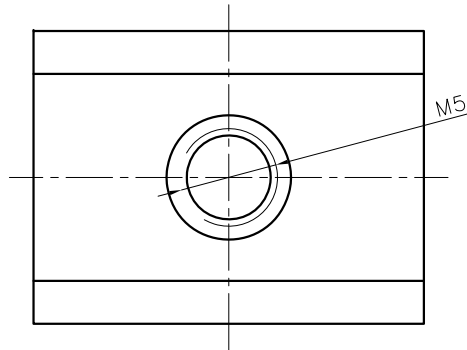


REVISION RECORD

REV	ECN	DESCRIPTION	DRFT	DATE



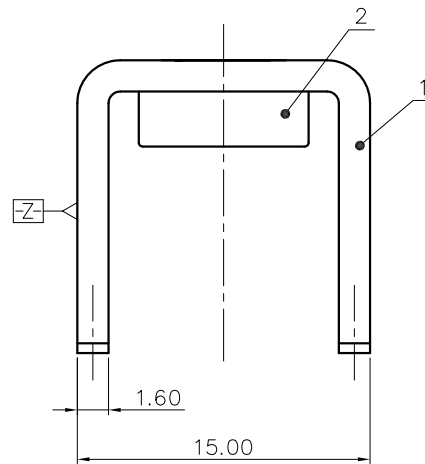
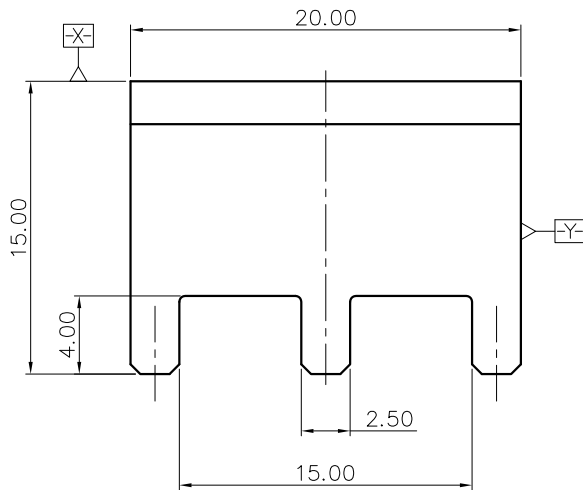
PCB LAYOUT

NOTES1:

1. Rated current : 115A
2. Torque value : M5 , 4.0N·m
3. Dimension shall be interpreted per ASME Y14.5-2009
4. Undimensioned tolerances:

Pitch range in mm		Nominal dimension range in mm				Tolerance		
TO	Over	TO	Over	TO	Over	TO	Over	
6	10	6	10	30	60	100	150	0.1/10
10	24	30	60	100	150			\leq
± 0.15	± 0.20	± 0.30	± 0.50	± 0.70	± 1.00	± 1.30	$\pm 2'$	

5. RoHS Compliance



K36 - 02A (H)
 (RoHS)
 02A-(Customer Request)
 (Series No.)

ITEM	NAME OF PART	MATERIAL	NOTES
2	Nut	Stainless steel	M5
1	Pin Header	Copper	M5/Sn Plated

DETACHED LISTS	PART NO.:	/	宁波高松电子有限公司 NINGBO DEGSON ELECTRICAL CO., LTD		
	APPD:		NAME: K36-02A(H)		
	CHKD:				
	DRFT: Desinly 2018.03.02	TITLE: CUSTOMER DRAWING		REV	TO
THIRD ANGLE PROJECTION		DRAWING NO.:	K36-C02	SHEET	1/1
		MM (INCH)	DO NOT SCALE DRAWING	SCALE	1:1