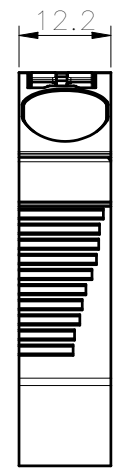
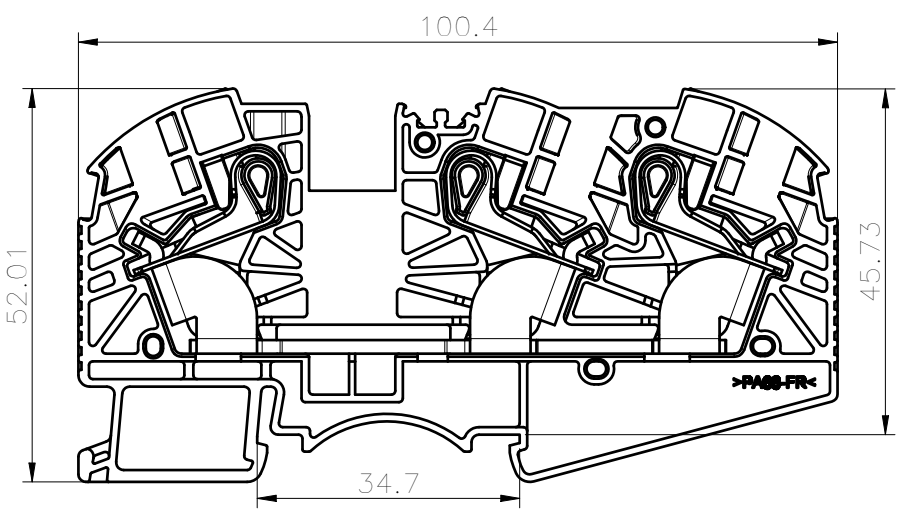
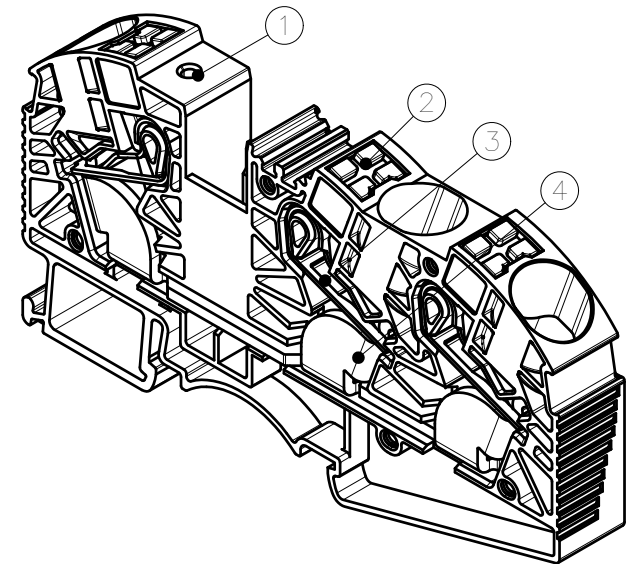
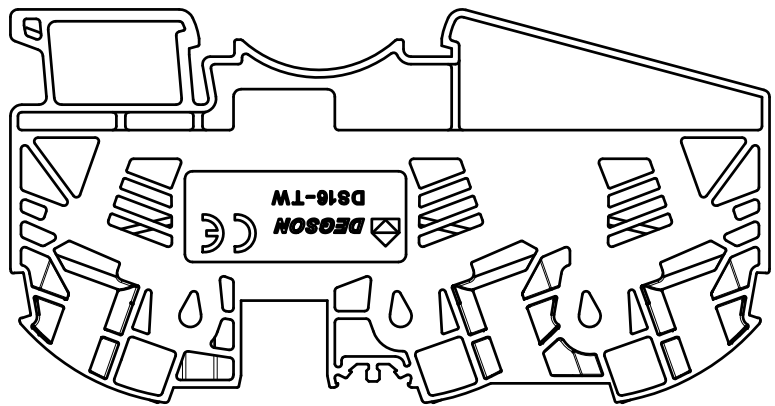


Transfer or duplication of this document as well as the utilization or communication of its contents are prohibited unless written authorization is granted. Customers will be liable for compensation. All rights reserved for patent, utility model or design registrations. 非经书面明确授权, 否则禁止转让、复制、利用、交加本文件内容, 一经发现负法律责任, 本公司保留对涉及发明、实用新型和外观设计的所有权利。

未注公差/General tolerances(mm)													0.1/10
0	>3	>6	>10	>18	>30	>50	>80	>120	>180	>250	>315	>400	
~3	~6	~10	~18	~30	~50	~80	~120	~180	~250	~315	~400	~500	>500
±0.12	±0.18	±0.22	±0.26	±0.31	±0.37	±0.57	±0.80	±0.93	±1.05	±1.15	±1.60	±2.20	±2.50



ITEM	NAME OF PART	MATERIAL	NOTES
4	Current carrier	Copper	Sn Plated
3	Spring	Stainless steel	/
2	Button	PA66+GF%	UL94V-0
1	Housing	PA66	UL94V-0

UL 标准/UL Standard:		B	C	D
额定电压/电流/Rated Voltage(V)/Current(A)		600V/85	/	/
IEC 标准/IEC Standard:				
过压类别/Overvoltage Category/污染等级/Pollution Degree		III/3		
额定电压/电流/Rated Voltage(V)/Current(A)		1000/76		
额定脉冲电压(KV)/Rate Impulse Voltage(KV)		8		
线径范围(硬线和软线)/Wire Range(rigid and flexible)(AWG/mm <sup>2</sup> )		20~4 / 0.5~16.25(Sol)		
间距/Pitch(mm)/线数范围/Poles		12.2/01P		
剥线长度/Stripping length(mm)		18		
使用温度范围/Operating temperature(°C)		-40~+105		
符合 RoHS 环保要求/Conform to RoHS		Yes		

		MATERIAL:	SURFACE:		
APPD: Li GL 2022.06.10		MAT NO./REV: /		MAT STATUS: /	
CHKD: Ma EK 2022.06.10		NAME			
DRFT: Xie ZhP 2022.06.10		DS16-TW-01P-1Y-00A(H)			
DRAWING NO.	TYPE	DRAWING STATUS	SCALE	SHEET	
/	CUSTOMER DRAWING	/	1:1	1/1	

REV	ECN	DESCRIPTION	DRFT	DATE
00	/	/	Xie ZhP	2022.06.10

