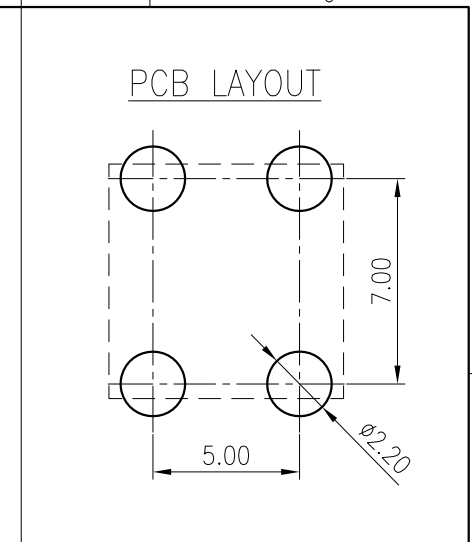
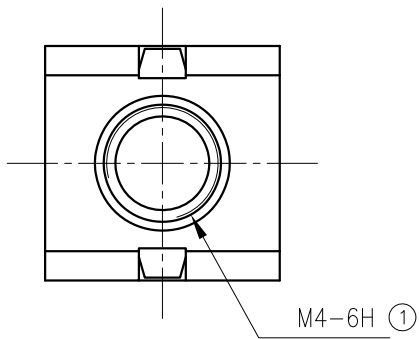


A

B

C

D



NOTES1:

UL Standard

1.Rated current : 25A

2.Torque value : M4 , 2.0N· m (17.54Lb.in,20.40kgf· cm)

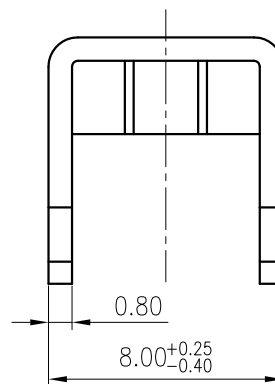
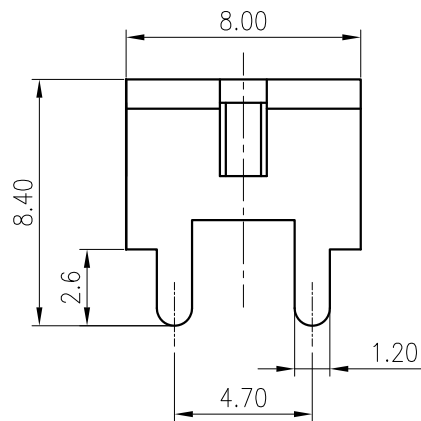
NOTES2:

1.Dimension shall be interpreted per ASME Y14.5-2009

2.Undimensioned tolerances:

Pitch range in mm		Nominal dimension range in mm				-	∩	∇
TO	Over	TO	Over	TO	Over	0.1/10		
6	6 TO 10	10 TO 24	30 TO 60	60 TO 100	100 TO 150	<		
±0.15	±0.20	±0.30	±0.30	±0.50	±0.70	±1.00	±1.30	±2'

3.RoHS Compliance



1	Pin Header	Copper alloy	M4/Sn Plated
ITEM	NAME OF PART	MATERIAL	NOTES

MATERIAL: /		SURFACE: /	
MAT NO.: /	宁波高松电子有限公司 NINGBO DEGSON ELECTRICAL CO., LTD		
STATUS: /			
APPD:	NAME: K92-01A(H)		
CHKD:	DRAWING NO.: K92-C01		
DRFT: Desinly 2018.08.29	REV		TO
REV	ECN	DESCRIPTION	DRFT DATE
⊕	SIZE: A4	mm (inch)	TYPE: CUSTOMER DRAWING
SCALE: 4:1		SHEET	1/1