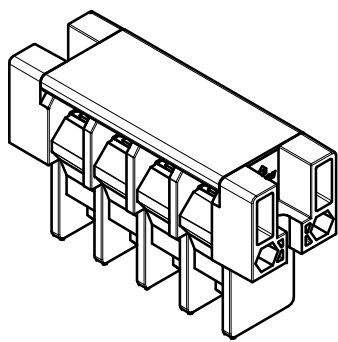
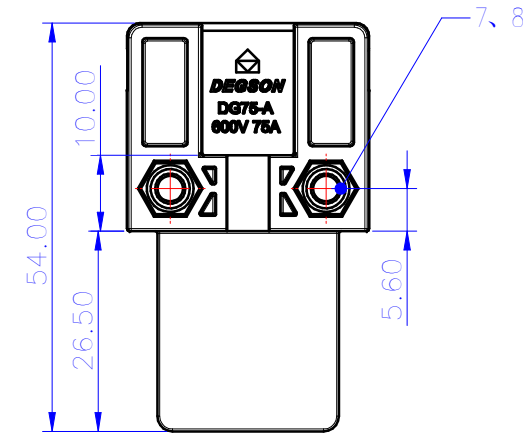
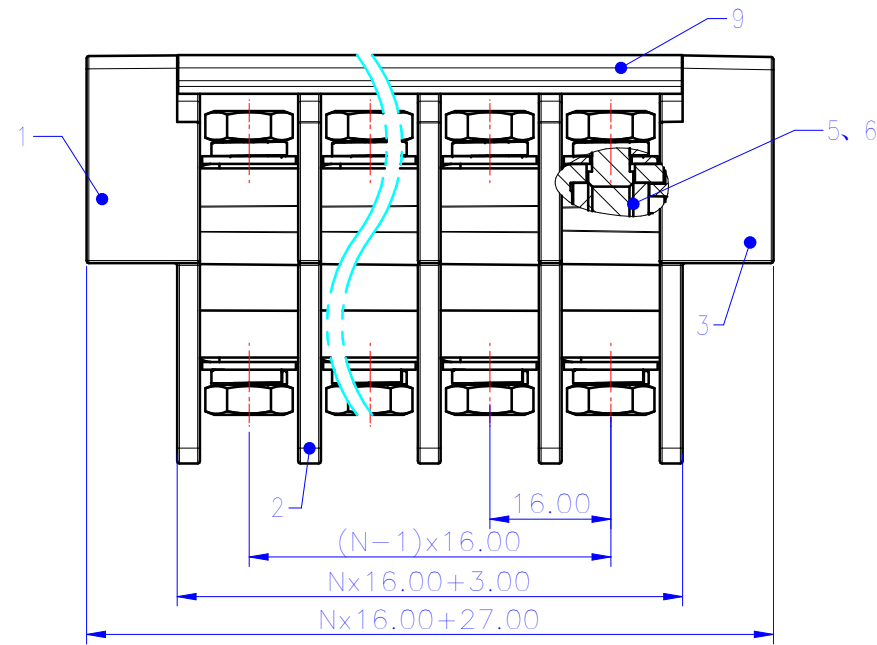
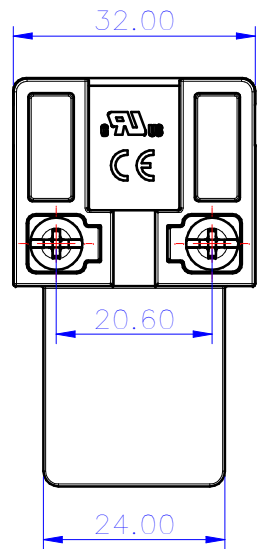
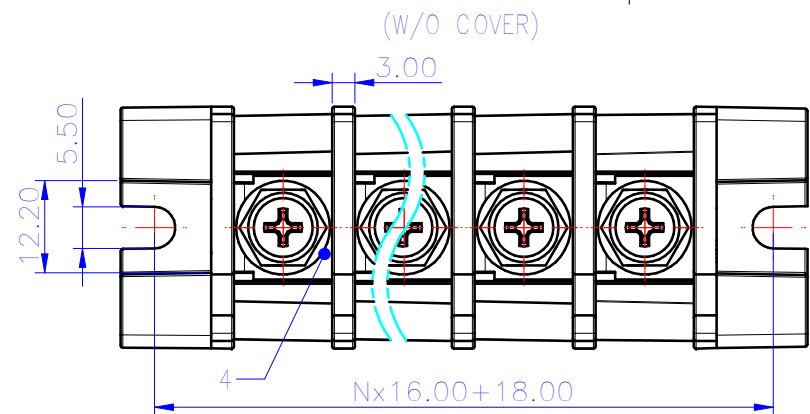


Transfer or duplication of this document as well as the utilization or communication of its contents are prohibited unless written authorization is granted. All rights reserved for patent, utility model or design registrations. 非经明确授权，否则禁止转让、复制、利用、交流本文件的内容。 未经授权，不得复制或传播本文件的内容。 本公司保留对涉及发明、实用新型和外观设计的所有权利。

未注公差/General tolerances(mm)											0.1/10 ±2'		
0 ~ 3	>3 ~ 6	>6 ~ 10	>10 ~ 18	>18 ~ 30	>30 ~ 50	>50 ~ 80	>80 ~ 120	>120 ~ 180	>180 ~ 250	>250 ~ 315		>315 ~ 400	>400 ~ 500
±0.12	±0.18	±0.22	±0.26	±0.31	±0.37	±0.57	±0.80	±0.93	±1.05	±1.15	±1.60	±2.20	±2.50

UL 标准/UL Standard:	B	C	D
额定电压/电流/Rated Voltage(V)/Current(A)	600/75	600/75	600/5
IEC 标准/IEC Standard:			
过压类别/Overvoltage Category/污染等级/Pollution Degree	III/3	III/2	II/2
额定电压/电流/Rated Voltage(V)/Current(A)	1000/75	1000/75	1000/75
额定脉冲电压(KV)/Rate Impulse Voltage(KV)	8	8	8
螺丝扭矩/Torque Tightening(N·m/Lb.in)	M6, 5.0/44.27		
线径范围(硬线和软线)/Wire Range(rigid and flexible)(AWG/mm ²)	22~4 / 16~25		
间距/Pitch(mm)/线数范围/Poles	16.00/N=02~10P		
剥线长度/Stripping length(mm)	12~13		
使用温度范围/Operating temperature(°C)	-40~+120		
符合 RoHS 环保要求/Conform to RoHS	Yes		



ITEM	NAME OF PART	MATERIAL	NOTES
9	Cover	PC	UL94V-2
8	Nut2	Steel	Zn plated/M4
7	Screw2	Steel	Zn plated/M4
6	Nut1	Steel	Ni plated/M6
5	Screw1	Steel	Ni plated/M6
4	Current_carrier	Copper	Ni plated
3	Right cover	PBT	UL94V-0
2	Housing	PBT	UL94V-0
1	Left cover	PBT	UL94V-0

		MATERIAL: /		SURFACE/COLOR: /	
		MAT. NO./REV: /		MAT STATUS: 设计放行	
APPD: 朱伟明	2022.01.17	NAME			
CHKD: 曹利彬	2022.01.17	DG75-A-XXP-1Y-00A (H)			
DRFT: 曹利彬	2022.01.17	DRAWING NO. /	TYPE	DRAWING STATUS	SCALE
		COUSTOMER DRAWING		/	1:1
				SHEET	1/1

REV	ECN	DESCRIPTION	DRFT	DATE
00	/	/	/	/