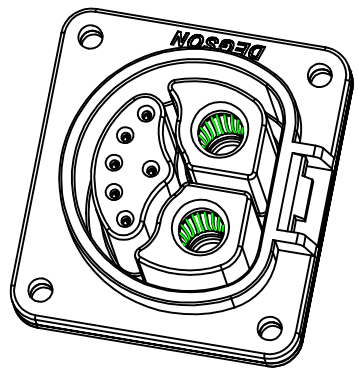
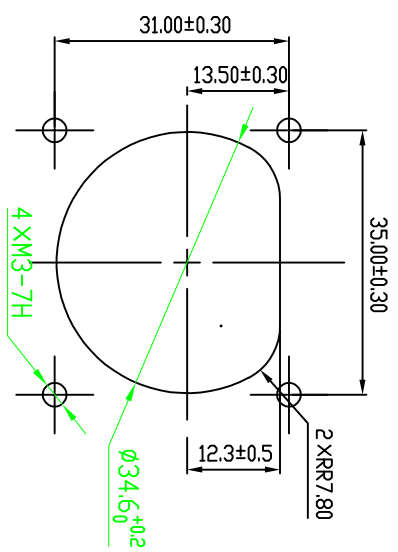
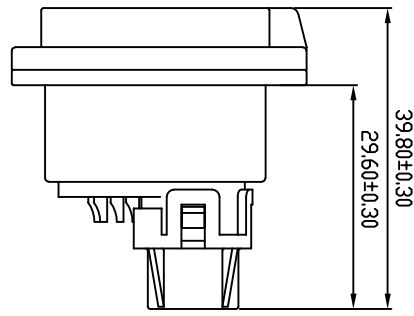
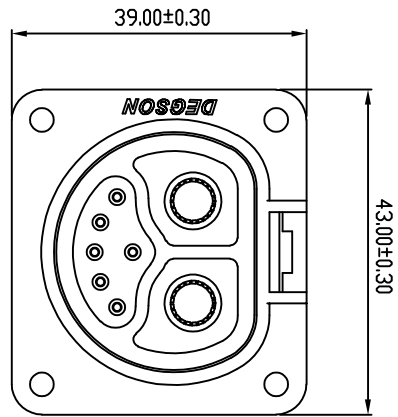


标注公差/General tolerances(mm)		0	>3	>6	>10	>18	>30	>50	>80	>120	>180	>250	>315	>400	>500	0.1/10
~	~	3	6	10	18	30	50	80	120	180	250	315	400	500	>500	0.1/10
±0.12	±0.18	±0.22	±0.26	±0.31	±0.37	±0.57	±0.80	±0.93	±1.05	±1.15	±1.60	±2.20	±2.50	±2.50	±2	±2



SA-EBBH-2006-F-00A(H)

型号说明



产品插针数量
功率针2pin,
信号针6pin

额定电压/Rated Voltage	72VDC/100A
绝缘电阻/Insulation resistance	≥500MΩ
插拔次数/Mechanical working life(repeating cycles)	3000
耐电压/Withstanding voltage	1500V AC
使用温度范围/Operating temperature(°C)	-40~+105
防水等级/Levels of protection	IP30
接线方式/Terminal	Crimping
导线规格范围/Wire range(mm)	Power:1.4~6AWG

DEGSON 宁波高松电子有限公司
NINGBO DEGSON ELECTRICAL CO., LTD

REV	ECN	DESCRIPTION	DRAWING NO.:	SCALE:	SHEET
10			SA-EBBH-2006-F-00A(H)	2:1	1/1

MATERIAL:	
MAT NO.:	
STATUS:	
APPD:	
CHKD:	
DRT:	Eric 2021.10.13
SIZE:	A4

NAME:	
DRAWING NO.:	SA-EBBH-2006-F-00A(H)
TYPE:	CUSTOMER DRAWING
SCALE:	2:1
SHEET	1/1