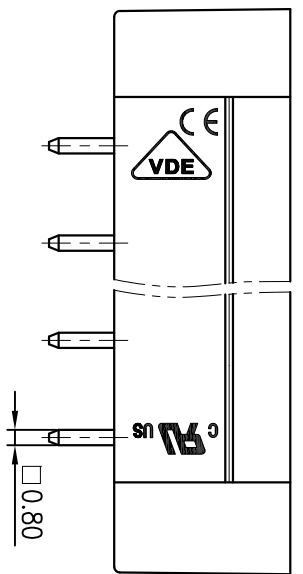
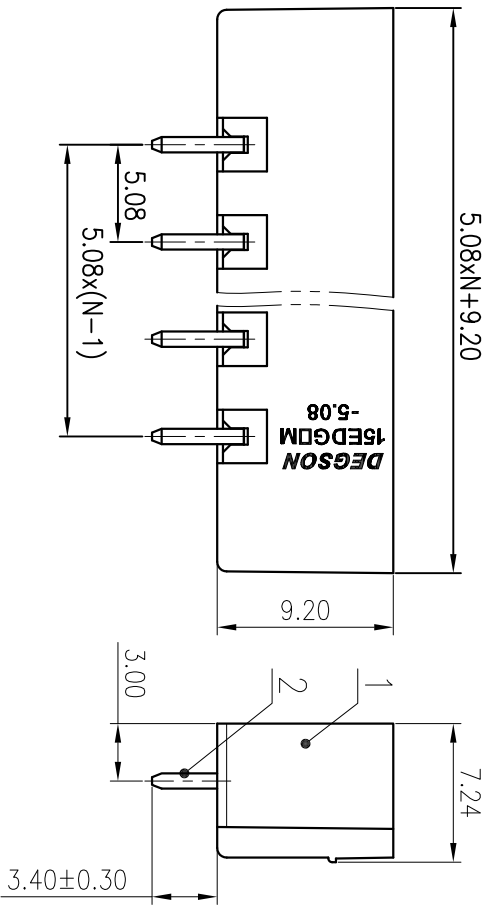
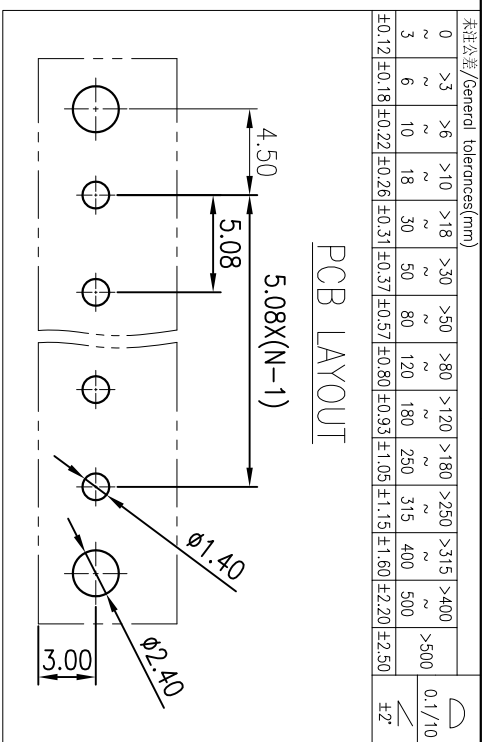


文 管
研 发
中 心
专 用
2020.06.02
(仅限内部使用, 对外无效)



3	Screw cap	Copper alloy	M2.5
2	Pin	Copper alloy	Sn Plated
1	Housing	PA66	UL94V-0
ITEM	NAME OF PART	MATERIAL	NOTES

UL 标准/UL Standard:		B
额定电压/电流 /Rated Voltage(V)/Current(A)		300/8
EC 标准/IEC Standard:		
过压类别/Overvoltage Category/污染等级/Pollution Degree		II/2
额定电压/电流 /Rated Voltage(V)/Current(A)		450/7
额定脉冲电压(KV)/Rate Impulse Voltage(KV)		4
间距/Pitch(mm)/线数范围/Poles		5.08/N=02~12P
使用温度范围/Operating temperature(°C)		-40~+105
符合RoHS环保要求/Conform to RoHS		Yes

MATERIAL:	SURFACE:		
MAT NO.:	/		
STATUS:	/		
APPD:	Lon	CHH	2020.06.02
CHKD:	/		
DRFT:	HZD	2015.08.24	
NAME:	15EDGVM-5.08-XXP-1Y-00A(H)		
DRAWING NO.:	15EDGVM-5.08-C01	REV	T1
TYPE:	CUSTOMER DRAWING	SCALE:	2.5:1 SHEET 1/1

DRFT	DATE	DESCRIPTION	ECN	REV
Yu Jzh	2020.06.02	Change the drawing and tolerance table		T1

宁波高松电子有限公司
NINGBO DEGSON ELECTRICAL CO., LTD

0	>3	>6	>10	>18	>30	>50	>80	>120	>180	>250	>315	>400	0.1/10
~	~	~	~	~	~	~	~	~	~	~	~	~	~
±0.12	±0.18	±0.22	±0.26	±0.31	±0.37	±0.57	±0.80	±0.93	±1.05	±1.15	±1.60	±2.20	±2.50
General tolerances(mm)													±2