

REVISION RECORD				
REV	ECN	DESCRIPTION	DRFT	DATE

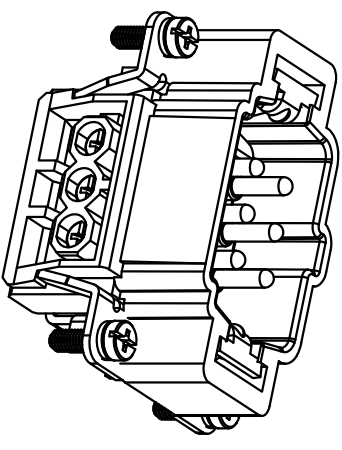
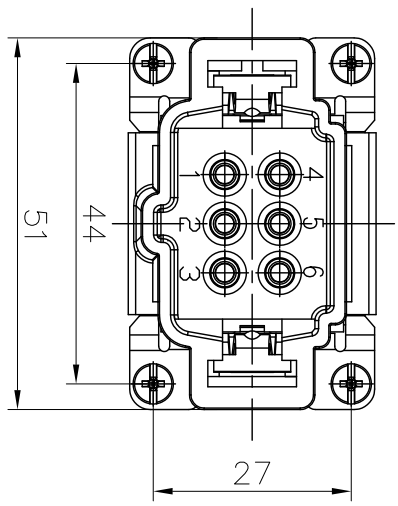
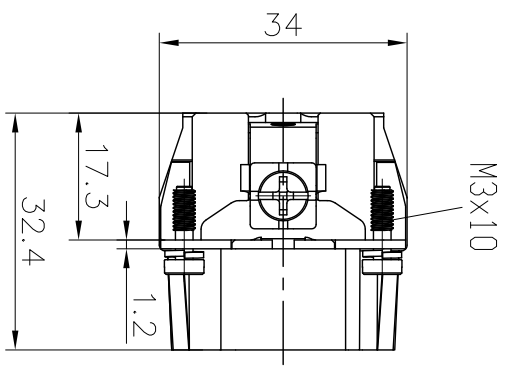
Technical characteristics:
 Specifications
 DIN EN 60 664-1
 DIN EN 61 984

Inserts

01. Number of contacts :6+PE
02. Rated Current :16A
03. Rated Voltage :500V
04. Pollution degree :3
05. Rated impulse voltage :6kv¹⁰
06. Insulation resistance :≥10¹⁰Ω
07. Material:Polycarbonate
08. Rated voltage acc. to UL/CSA:600V
09. Limiting temperatures :-40°C~+125°C
10. Flammability acc. to UL94:V0
11. Mechanical working life (mating cycles) :≥500

Contacts

01. Material:Copper alloy
02. Surface:hard-silver plated
03. Contact resistance :≤1mΩ
04. Terminal :Screw terminal
05. Wire gauge :1.0-2.5mm² (AWG: 18-14)
06. Tightening torque :0.5Nm
07. Stripping length :7.5mm
08. Rohs Compliance



DETACHED LISTS			
PART NO.:	/	NAME:	DEGSON ® NINGBO DEGSON ELECTRICAL CO.,LTD 宁波高松电子有限公司
APPD:		TITLE:	CUSTOMER DRAWING
CHKD:		DRWING NO.:	/
DRFT:	Mr. Yang 2016.08.08	DO NOT SCALE DRAWING	SCALE
THIRD ANGLE PROJECTION		SCALE	1:1