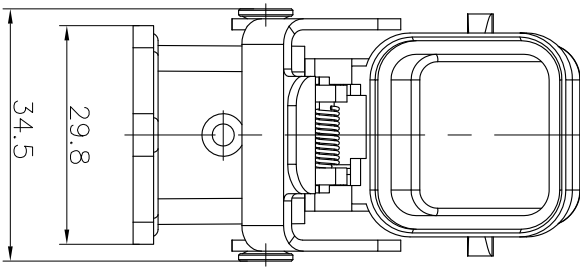
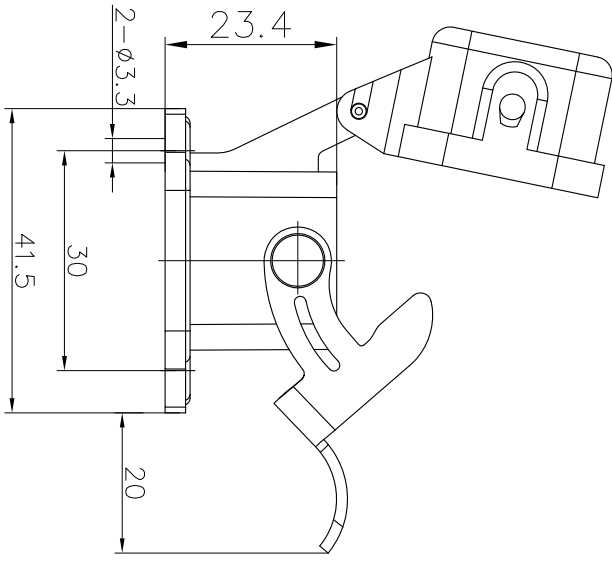
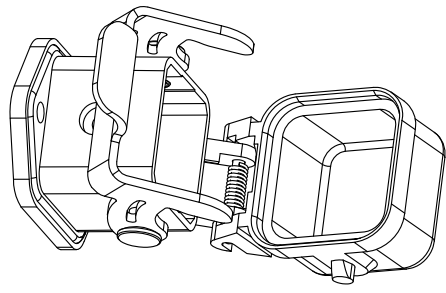
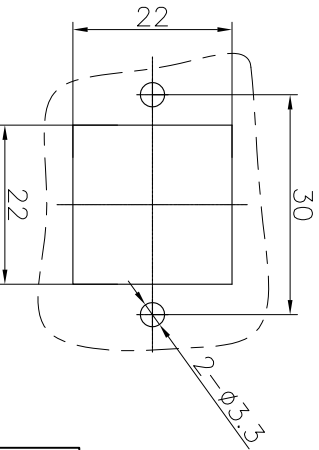


REVISION RECORD				
REV	ECN	DESCRIPTION	DRFT	DATE



**Housings Feature:**

1. Material: Zinc die-cast (Housings&Cover)
2. Colour: Grey (RAL7037)
3. Locking element, Lever type: Lever
4. Material: Metal zinc-plated (Lever)
5. Housings Seal: NBR
6. Limiting temperatures: -40°C ~ +125°C
7. Flammability acc. to UL94: V0
8. Degree of protection acc. TO DIN EN 60529 for coupled connector: IP65
9. Rohs Compliance



Panel cut out

DETACHED LISTS			
PART NO.:	<b>DEGSON</b> ®	NAME:	宁波高松电子有限公司
APPD:			NINGBO DEGSON ELECTRICAL CO., LTD
CHKD:			
DRFT:	Mr. Yang 2016.08.08	TITLE:	CUSTOMER DRAWING
		DRAWING NO.:	/
			DO NOT SCALE DRAWING
		REV	DO
		SHEET	1/1
		SCALE	1:1



THIRD ANGLE PROJECTION

A 8 7 6 5 4 3 2 1