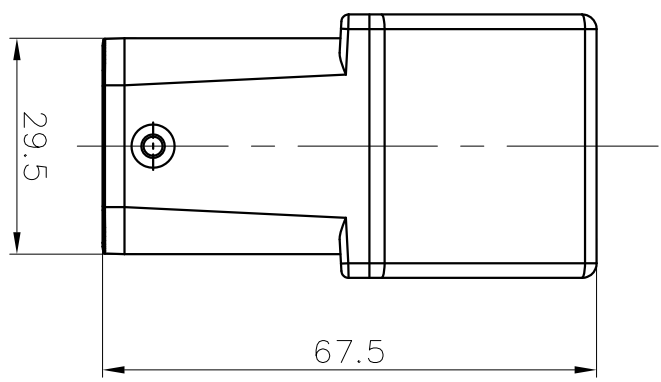
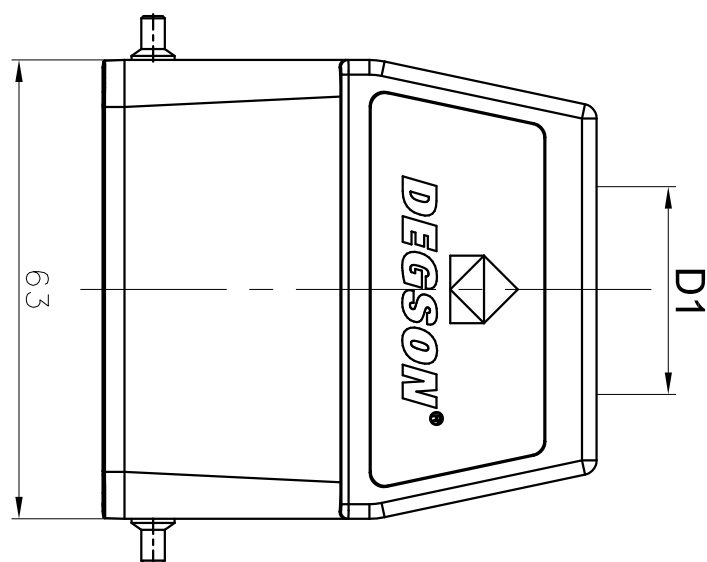
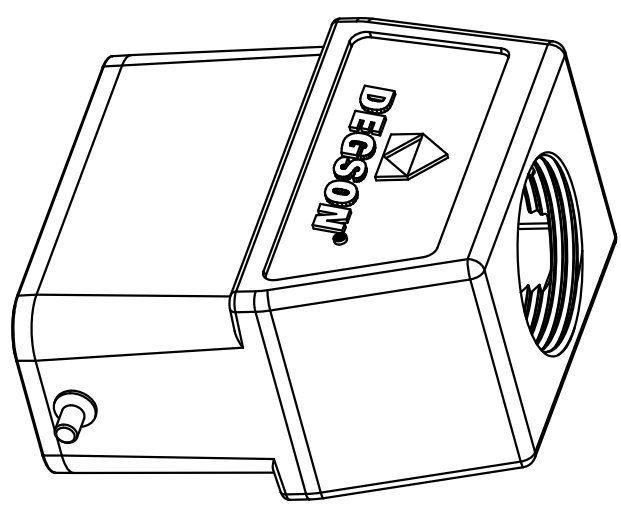



TYPE	Thread(D1)	Selection
D10A-TEH-2g-M25	M25	
D10A-TEH-2g-PG16	PG16	
D10A-TEH-2g-PG21	PG21	

REVISION RECORD				
REV	ECN	DESCRIPTION	DRFT	DATE



Hoods Feature

- 01. Material: Aluminium die-cast
- 02. Surface: Powder-coated
- 03. Color: grey (RAL 7037)
- 04. Limiting temperatures: -40°C ~ +125°C
- 05. Sealing: NBR
- 06. Flammability acc to UL94: V0
- 07. Degree of protection acc. to EN60529 for coupled connector: IP65
- 08. Rohs Compliance

DETACHED LISTS			
PART NO.:	 NINGBO DEGSON ELECTRICAL CO., LTD 宁波高松电子有限公司		
APPD:	NAME: D10A-TEH-2g-M/PG		
CHKD:	TITLE: CUSTOMER DRAWING		
DRFT: Mr. yong	2016.08.15	DRAWING NO.:	REV
THIRD ANGLE PROJECTION		DO NOT SCALE DRAWING	DO-1
		SCALE	1/1
		SCALE	1:1

A 8 7 6 5 4 3 2 1