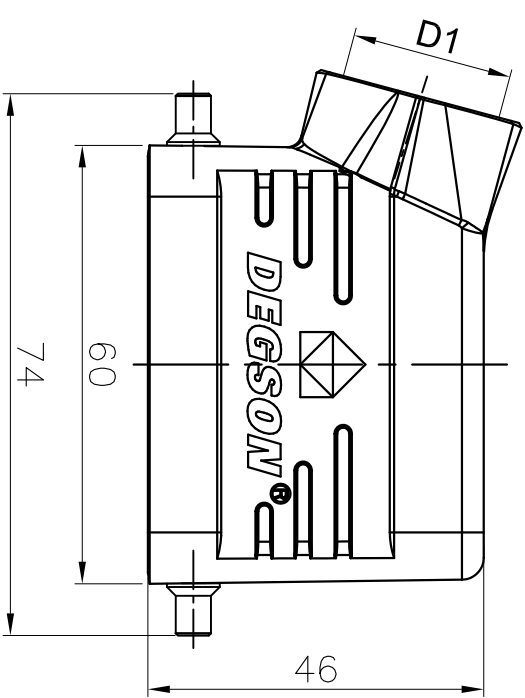
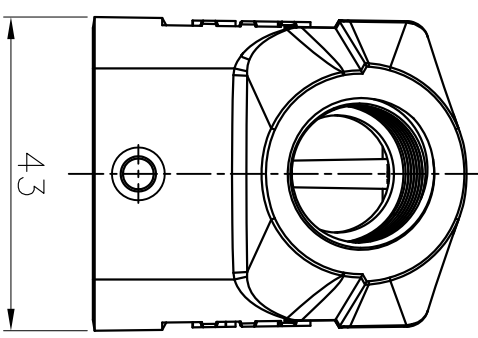
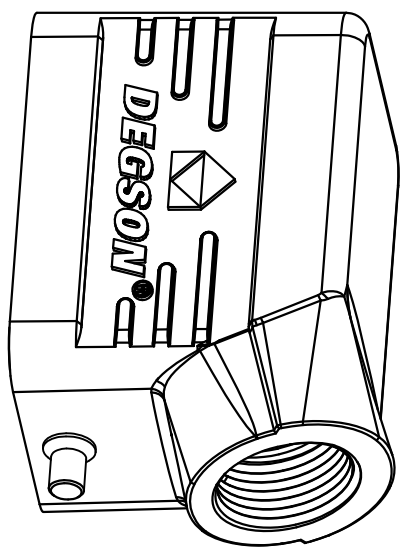


| TYPE | Thread(D1) | Selection |
|------------------|------------|-----------|
| D6B-SF-2g-M20 | M20 | |
| D6B-SF-2g-M25 | M25 | |
| D6B-SF-2g-PG13.5 | PG13.5 | |
| D6B-SF-2g-PG16 | PG16 | |

| REVISION RECORD | | | | |
|-----------------|-----|-------------|------|------|
| REV | ECN | DESCRIPTION | DRFT | DATE |
| | | | | |



Hoods Feature

1. Material: aluminium die-cast
2. Surface: Powder-coated
3. Color: grey (RAL 7037)
4. Limiting temperatures: -40°C ~ +125°C
5. Flammability acc to UL94: V0
6. Degree of protection acc. to EN60529 for coupled connector: IP65
7. Rohs compliance

| DETACHED LISTS | | | |
|------------------------|----------------------|----------------------|---------------------------------------------------------------|
| PART NO.: | / | NAME: | DEGSON 宁波高松电子有限公司 NINGBO DEGSON ELECTRICAL CO., LTD |
| APPR.: | | TITLE: | D6B-SE-2g-M/PG CUSTOMER DRAWING |
| CHKD.: | | DRAWING NO.: | |
| DRFT: | Mr. yding 2017/06/28 | REV | DO-1 |
| THIRD ANGLE PROJECTION | | DO NOT SCALE DRAWING | SCALE |
| | | SCALE | 1:1 |