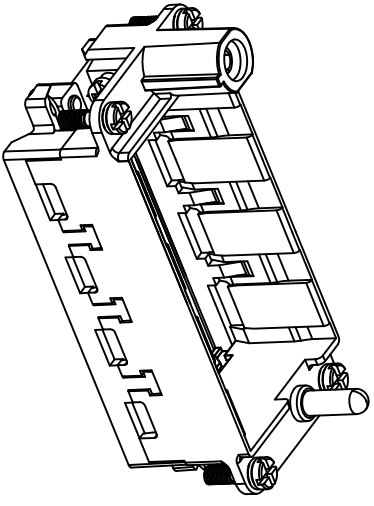
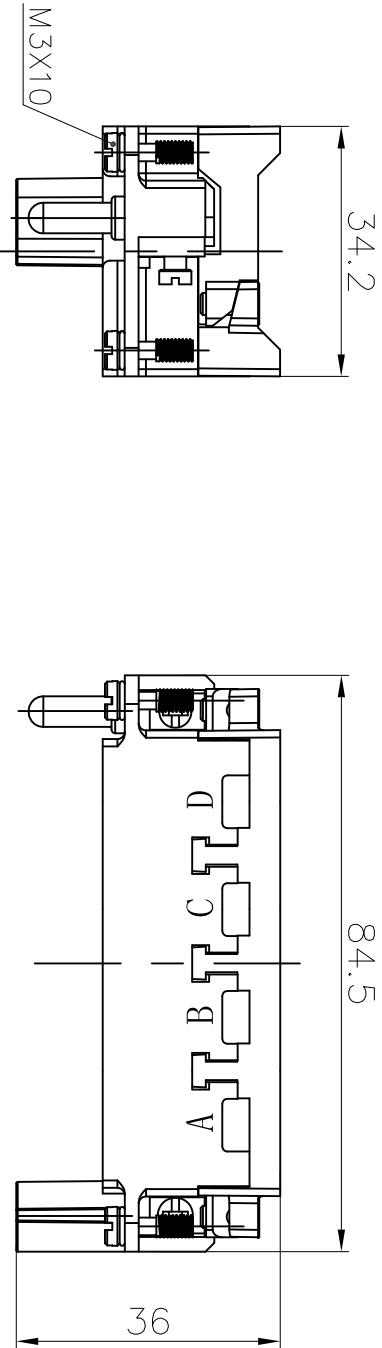


REVISION RECORD				
REV	ECN	DESCRIPTION	DRFT	DATE



Modular

1. Material: Zinc die-cast
2. Marking: A-D
3. Number for modules: 4 modules
4. Power side: 4~10mm²
5. AWG: 12-8
6. Signal side: 1~2.5mm²
7. AWG: 18-14
8. Rohs Compliance

DETACHED LISTS			
PART NO.:	/	NINGBO DEGSON ELECTRICAL CO., LTD 宁波高松电子有限公司	
APPR:		NAME: DF16B-UA	
CHKD:		TITLE: CUSTOMER DRAWING	
DRFT: Mr.yong2016.06.18		DRAWING NO.:	DF16B-UA-E01
		THIRD ANGLE PROJECTION	DO NOT SCALE DRAWING
		SCALE	1:1

A 8 7 6 5 4 3 2 1