

REVISION RECORD				
REV	ECN	DESCRIPTION	DRFT	DATE

Technical characteristics:
 Specifications
 DIN EN 60 664-1
 DIN EN 61 984

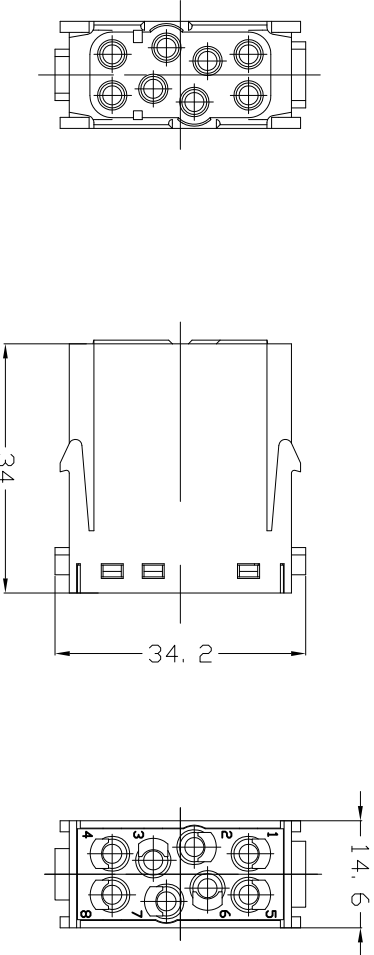
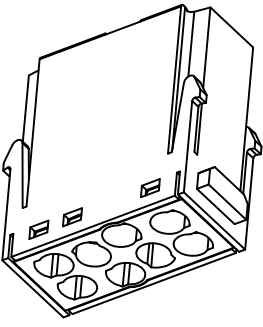
Inserts

01. Number of contacts : 8
02. Rated Current : 16A
03. Rated Voltage : 400V
04. Pollution degree : 3
05. Rated impulse voltage : 6kV¹⁰
06. Insulation resistance : $\geq 10^9\Omega$
07. Material : Polycarbonate
08. Rated voltage acc. to UL : 600V
09. Limiting temperatures : -40°C~+125°C
10. Flammability acc. to UL94 : V0
11. Mechanical working life (mating cycles) : ≥ 500

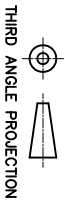
Contacts

01. Material : Copper alloy
02. Surface : hard-silver plated
03. Contact resistance : $\leq 1m\Omega$
04. Terminal : Crimp terminal
05. Wire gauge : 0.14-4mm² (AWG 26-12)
06. Rohs Compliance

Note: Crimp contact pins should order separately



DETACHED LISTS			
PART NO.:	/	NINGBO DEGSON ELECTRICAL CO., LTD	
APPD:		宁波高松电子有限公司	
CHKD:		DMEE-008-MC	
DRFT:	YANG	TITLE: CUSTOMER DRAWING	REV
	2016.08.22	DRAWING NO.: DMEE-008-MC-E01	DO-1
		SCALE: 1/1	
		DO NOT SCALE DRAWING	



THIRD ANGLE PROJECTION

A 8 7 6 5 4 3 2 1