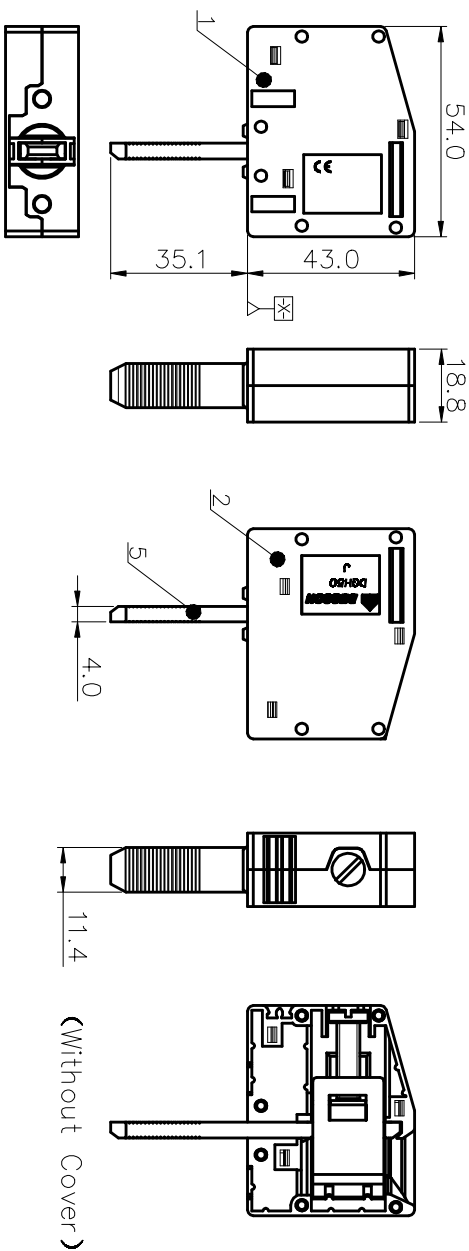
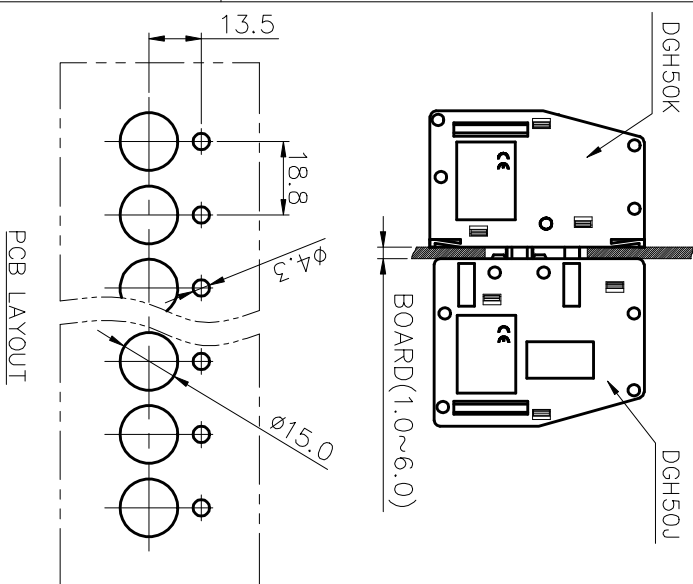
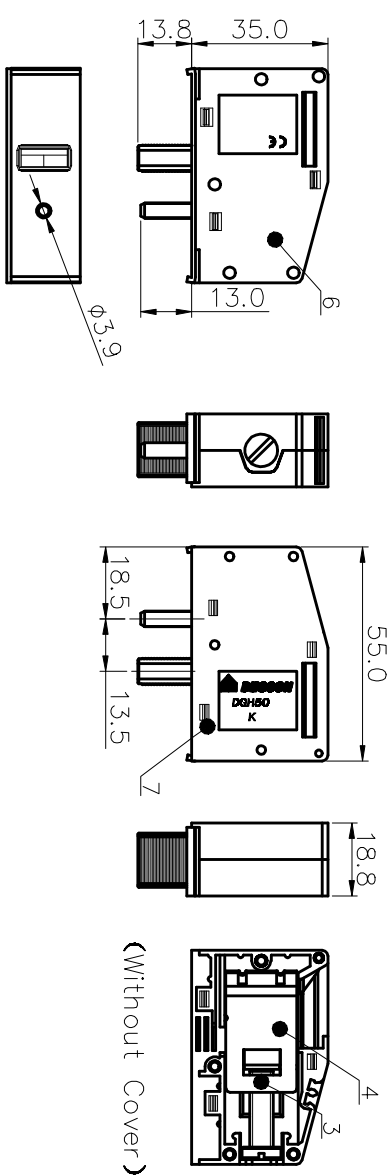


DGH50J-01P-1Y-00A(H)



尺寸类别/General	公差值/Tolerances(mm)	公差值/Tolerances(mm)
0	>.3	>.150
~	>.6	>.315
~	>1.0	>.400
~	>1.8	>.500
~	>3.0	>.630
~	>5.0	>.800
~	>8.0	>1.000
~	>12.0	>1.250
~	>18.0	>1.600
~	>25.0	>2.000
~	>31.5	>2.500
~	>40.0	>3.150
~	>50.0	>4.000
±0.12	±0.18	±0.22
±0.26	±0.31	±0.37
±0.57	±0.80	±1.05
±1.51	±1.80	±2.20
±2.50	±2.50	±2.50
0.1/1.0	±Z	±Z

DGH50K-01P-1Y-00A(H)



ITEM	NAME OF PART	MATERIAL	NOTES
1	Housing 1	PA66	UL94V-0
2	Housing 2	PA66	UL94V-0
3	Screw	Steel	M6/Zn Plated
4	Current carrier	Copper alloy	Sn Plated
5	Cage	SPCC	M6/Zn Plated
6	Housing 3	PA66	UL94V-0
7	Housing 4	PA66	UL94V-0

REV	ECN	DESCRIPTION	DRAFT	DATE

DEGSON® NINGBO DEGSON ELECTRICAL CO., LTD
 宁波高松电子有限公司

NAME: **DGH50-01P-1Y-00A(H)**

DRAWING NO.: DGH50-C01

TYPE: CUSTOMER DRAWING

SCALE: 2:1

REV: T0

SHEET: 1/1

SIZE: A4

DRFT: Nick 2015/10/27

CHKD:

MATERIAL: /

MAI NO.: /

STATUS: /

APPD: /

CHKD: /

DRFT: Nick 2015/10/27

TYPE: CUSTOMER DRAWING

SCALE: 2:1

SHEET: 1/1

UL 标准/UL Standard:	B	C	D
额定电压/电涌/Rated Voltage(V)/Current(A)	600/170	600/170	600/5
IEC 标准/IEC Standard:	600/170	600/170	600/5
过压类别/Overvoltage Category/污染等级/Pollution Degree	III/3	III/2	II/2
额定电压/电涌/Rated Voltage(V)/Current(A)	690/150	1000/150	1000/150
额定脉冲电压(kV)/Rate Impulse Voltage(kV)	8	8	8
额定扭矩/螺栓预紧力/Torque Tightening(N·m/Lb·in)	M6, 5.0/53.16		
线径范围(硬线和软线)/Wire Range(rigid and flexible)(mm²/AWG)	16~50/6~2/0		
间距/Pitch(mm)/线数范围/Poles	18.80/N=01P		
剥线长度/Stripping length(mm)	24~25		
使用温度范围/Operating temperature(°C)	-40~+105		
符合RoHS要求/Conform to RoHS	Yes		