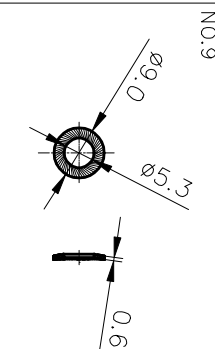
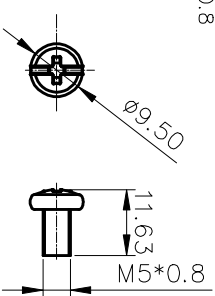
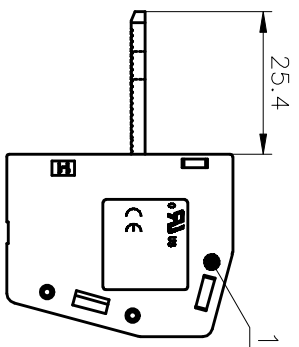
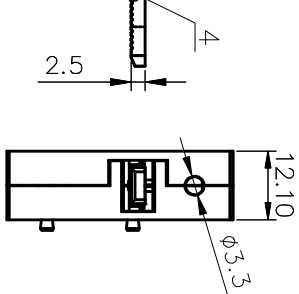
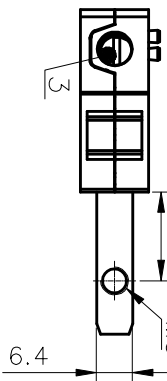
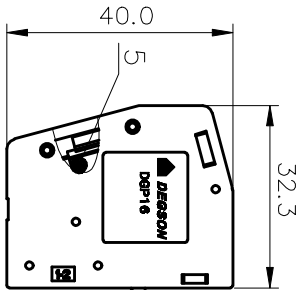
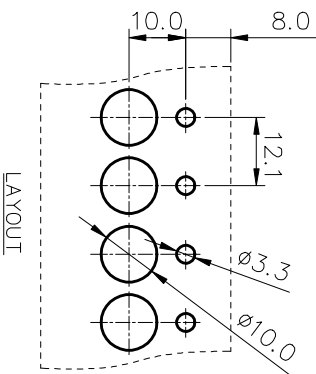
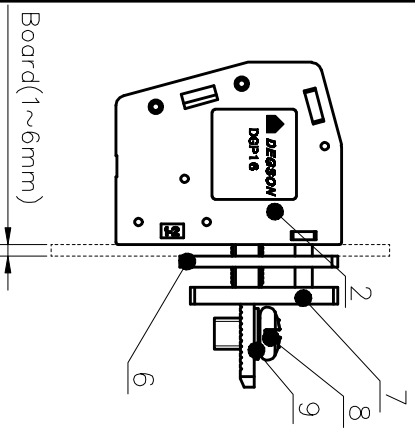


| 公差等级/General Tolerances(mm) | | 公差等级/General Tolerances(mm) | | | | | | | | | | 公差等级/General Tolerances(mm) | | |
|-----------------------------|-------|-----------------------------|-------|-------|-------|-------|-------|-------|-------|-------|-------|-----------------------------|-------|----------|
| 0 | >3 | >6 | >10 | >18 | >30 | >50 | >80 | >120 | >180 | >280 | >315 | >400 | >500 | 0.1/1/10 |
| ~ | ~ | ~ | ~ | ~ | ~ | ~ | ~ | ~ | ~ | ~ | ~ | ~ | ~ | ±Z |
| 3 | 6 | 10 | 18 | 30 | 50 | 80 | 120 | 180 | 280 | 315 | 400 | 500 | >500 | ±Z |
| ±0.12 | ±0.18 | ±0.22 | ±0.26 | ±0.31 | ±0.37 | ±0.57 | ±0.80 | ±0.93 | ±1.05 | ±1.15 | ±1.60 | ±2.20 | ±2.50 | ±Z |

DGP16J-01P-1Y-00AH



| ITEM | NAME OF PART | MATERIAL | NOTES |
|------|-------------------|--------------|-----------|
| 1 | Housing1 | PA66 | UL94V-0 |
| 2 | Housing2 | PA66 | UL94V-0 |
| 3 | Screw1 | Copper alloy | Sn Plated |
| 4 | Current Carrier | Copper | Sn Plated |
| 5 | Cage | Copper alloy | Ni Plated |
| 6 | Antivibration Pad | EVA | Black |
| 7 | Housing3 | PA66 | UL94V-0 |
| 8 | Screw2 | Steel | Zn Plated |
| 9 | Lock Washer | Steel | Zn Plated |

| REV | ECN | DESCRIPTION | DRAWING | DATE |
|-----|-----|-------------|---------|------|
| 1 | | | | |

MATERIAL: /

MAT NO.: /

STATUS: /

APPD: /

CHKD: /

DRAWING NO.: DGP16-C01

TYPE: CUSTOMER DRAWING

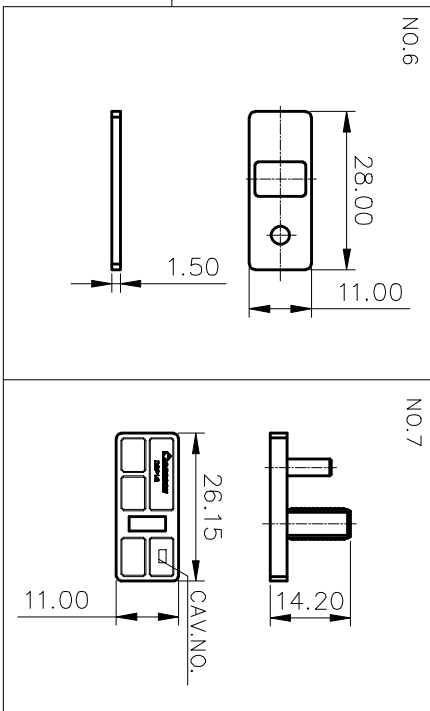
SCALE: 2:1

SHEET 1/1

NAME: DGP16-01P-1Y-00A(H)

NINGBO DEGSON ELECTRICAL CO., LTD

宁波高松电子有限公司



| II 标准/II Standard: | B | C | D |
|--|---------------|--------|-------|
| 额定电压/电涌/Rated Voltage(V)/Current(A) | 600/85 | 600/85 | 600/5 |
| EC 标准/IEC Standard: | | | |
| 过压类别/Overvoltage Category/污染等级/Pollution Degree | III/3 | III/2 | II/2 |
| 额定电压/电涌/Rated Voltage(V)/Current(A) | 500/76 | / | / |
| 额定冲击电压(kV)/Rate Impulse Voltage(kV) | 6 | / | / |
| 额定扭矩/螺栓预紧力/Torque Tightening(N·m/Lb·in) | M5, 2.0/17.54 | / | / |
| 挠性范围(硬线和软线)/Wire Range(rigid and flexible)(mm ² /AWG) | 0.5~16/20~4 | / | / |
| 间距/Pitch(mm)/线数范围/Poles | 12.10/N=01P | / | / |
| 剥线长度/Stripping length(mm) | 16 | / | / |
| 使用温度范围/Operating temperature(°C) | -40~+105 | / | / |
| 符合RoHS要求/Conform to RoHS | Yes | / | / |