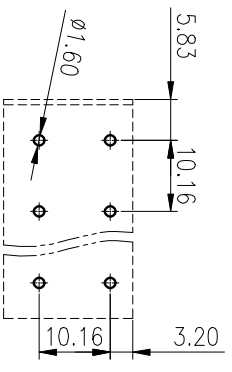
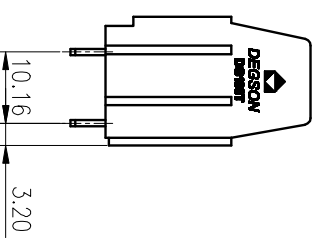
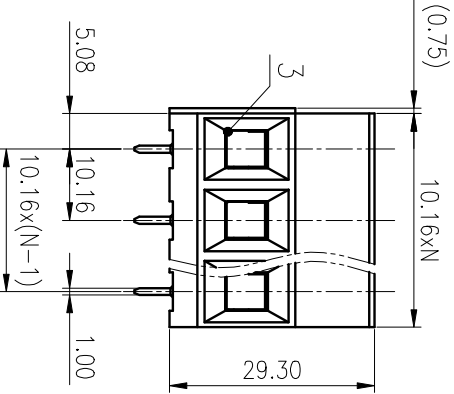
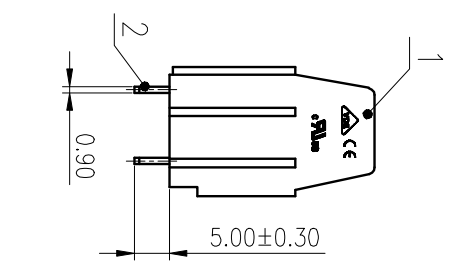
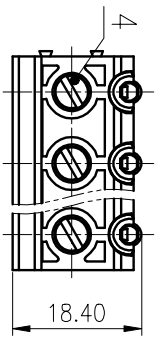


公差等级/General Tolerances(mm)		公差等级/General Tolerances(mm)										公差等级/General Tolerances(mm)	
0	>3	>6	>10	>18	>30	>50	>80	>120	>180	>250	>315	>400	0.1/1.0
3	~6	~10	~18	~30	~50	~80	~120	~180	~250	~315	~400	~500	±Z
±0.12		±0.18	±0.22	±0.26	±0.31	±0.37	±0.57	±0.80	±1.05	±1.15	±1.60	±2.20	±2.50



PCB LAYOUT

REV	ECN	DESCRIPTION	DRAFT	DATE	SIZE: A4	TYPE: CUSTOMER DRAWING	SCALE: 1:1	SHEET
1								1/1
2								
3								
4								

MATERIAL:	/	SURFACE:	/
MAT NO.:	/		
STATUS:	/		
APPD:	LanChH 2020.05.16	NAME: DEGSON® NINGBO DEGSON ELECTRICAL CO., LTD	
CHKD:	YUJZh 2020.05.16	DRAWING NO.: DG136T-10.16-XXP-1Y-00A(H)	
DRT:	Baron 2018.07.25	DRT: Baron 2018.07.25	

ITEM	NAME OF PART	MATERIAL	NOTES
4	Screw	Copper alloy	M4/Ni Plated
3	Cage	Copper alloy	M4/Ni Plated
2	Pin header	Copper	Sn Plated
1	Housing	PA66	UL94V-0

UL 标准/UL Standard:	B	C	D
额定电压/电涌/Rated Voltage(V)/Current(A)	300/60	300/60	/
IEC 标准/IEC Standard:	/		
过压类别/Overvoltage Category/污秽等级/Pollution Degree	III/2		
额定电压/电涌/Rated Voltage(V)/Current(A)	1000/65		
工频耐压/Withstanding voltage(V/1min)	AC3500		
拧紧扭矩/Torque Tightening(N·m/Lb·in)	M4: 1.2/10.53		
线径范围(硬线和软线)/Wire Range(rigid and flexible)(mm²/AWG)	2.5~16/20~6		
间距/Pitch(mm)/线数范围/Poles	10.16/N=2~12P		
剥线长度/Stripping length(mm)	10~11		
使用温度范围/Operating temperature(°C)	-40~+105		
符合RoHS环保要求/Conform to RoHS	Yes		