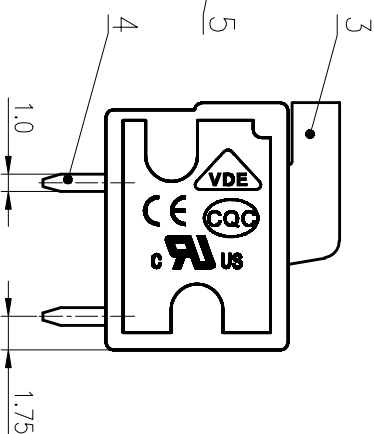
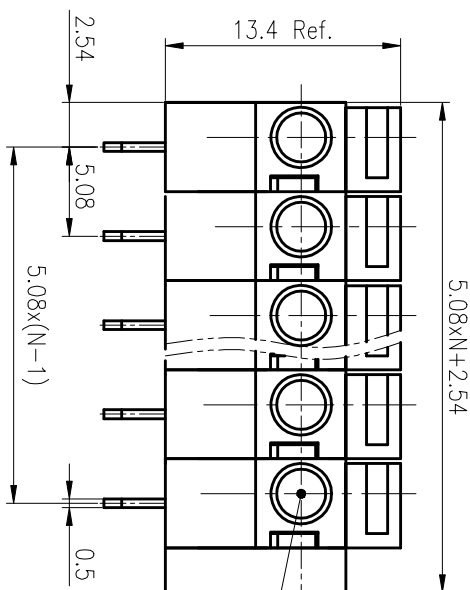
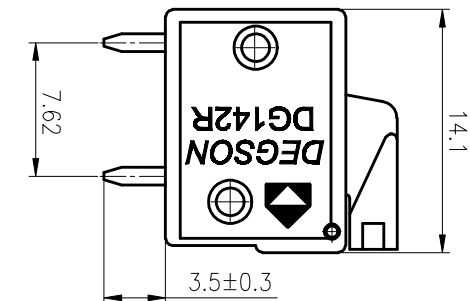
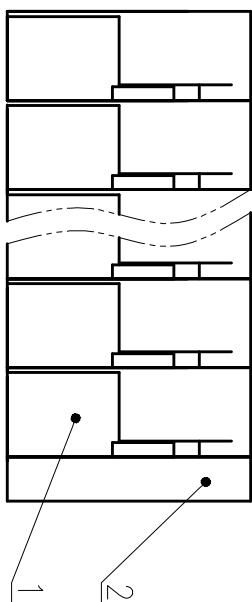
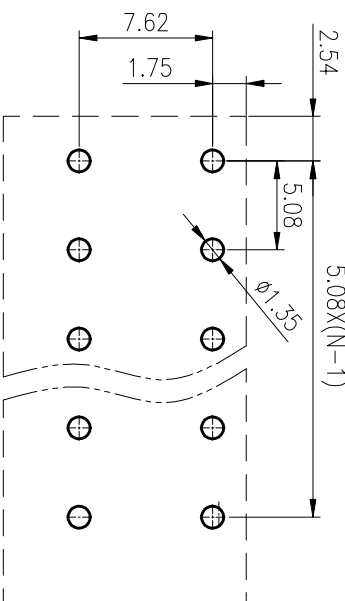


公差等级/General	Tolerances(mm)										公差等级/General		
0	>.3	>.6	>.10	>.18	>.30	>.50	>.80	>.120	>.180	>.280	>.315	>.400	0.1/10 ±Z
3	~	~	~	~	~	~	~	~	~	~	~	~	
6	10	18	30	50	80	120	180	280	315	400	500	±Z	
±0.12	±0.18	±0.22	±0.26	±0.31	±0.37	±0.57	±0.80	±0.93	±1.05	±1.15	±1.60	±2.20	±2.50



PCB LAYOUT



ITEM	NAME OF PART	MATERIAL	NOTES
5	Spring	Stainless steel	/
4	Pin header	Copper alloy	Sn Plated
3	Button	PA66	UL94V-0
2	Cover	PA66	UL94V-0
1	Housing	PA66	UL94V-0

REV	ECN	DESCRIPTION	DRAFT	DATE

MATERIAL: /	SURFACE: /
MAT NO.: /	NAME: DEGSON® NINGBO DEGSON ELECTRICAL CO., LTD
STATUS: /	APPD: LiGL 2020.05.22
SIZE: A4	CHKD: Mek 2020.05.22
TYPE: CUSTOMER DRAWING	DRAFT: MSh 2020.05.22
SCALE: 2.5:1 SHEET 1/1	DRAWING NO.: DG142R-5.08-C04
REV T0	1/1

UL 标准/UL Standard:	B	C	D
额定电压/电涌/Rated Voltage(V)/Current(A)	300/10	300/10	300/10
IEC 标准/IEC Standard:			
过压类别/Overvoltage Category/污秽等级/Pollution Degree	/	III/2	/
额定电压/电涌/Rated Voltage(V)/Current(A)	/	250/15	/
工频耐压/Withstanding Voltage(V/Min)	AC2000		
线径范围(裸线铜线)/Wire Range(rigid and flexible)(mm² /AWG)	0.2~1.5/22~16		
间距/Pitch(mm)/线径范围/Poles	5.08/N=02~24P		
剥线长度/Stripping length(mm)	10		
使用温度范围/Operating Temperature(°C)	-40~+105		
符合RoHS要求/Conform to RoHS	Yes		
标准颜色编号/Standard color number:	PANTONE / RAL		