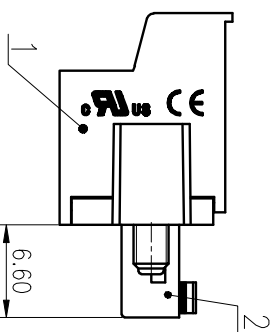
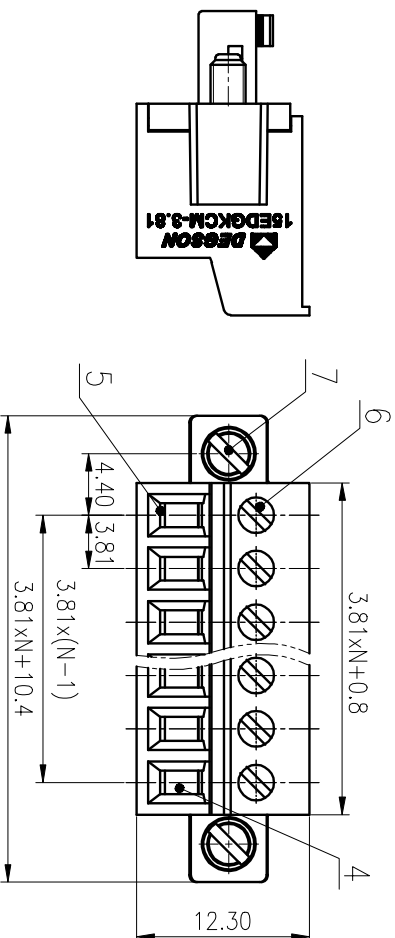
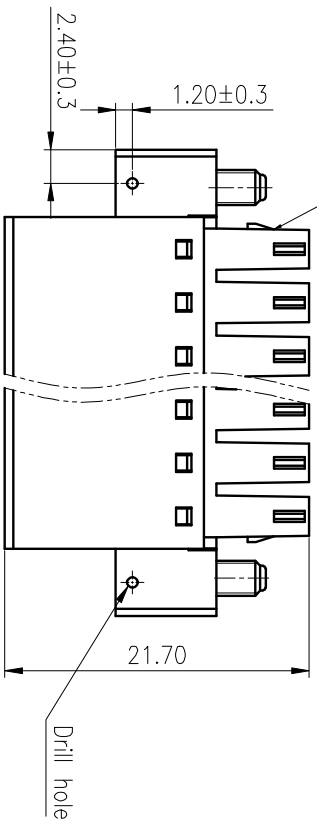
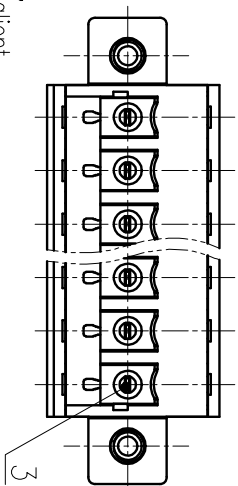


2P-6P have the salient,  
7P-24P have not the salient



精度等级/General	tolerance/(mm)	0	>3	>6	>10	>18	>30	>50	>80	>120	>180	>250	>315	>400	>500	0.1/1/10
~	~	~	~	~	~	~	~	~	~	~	~	~	~	~	~	±Z
±0.12	±0.18	±0.22	±0.26	±0.31	±0.37	±0.57	±0.80	±0.93	±1.05	±1.15	±1.60	±2.20	±2.50			

ITEM	NAME OF PART	MATERIAL	NOTES
1	Housing	PA66	UL94V-0
2	Cover	PA66	UL94V-0
3	Clamp	Copper alloy	Sn Plated
4	Block	Steel	Zn Plated
5	Cage	Steel	M2/Zn Plated
6	Screw1	Steel	M2/Zn Plated
7	Screw2	Steel	M2.5/Zn Plated

UL 标准/UL Standard:	B	C	D
额定电压/Rated Voltage(V)	300/8	/	300/8
IEC 标准/IEC Standard: <td colspan="3"></td>			
过压类别/Overvoltage Category/污染等级/Pollution Degree	III/3	III/2	II/2
额定电压/电涌/Rated Voltage(V)/Current(A)	/	160/8	/
额定电涌电压/Rate Impulse Voltage(kV)	/	2.5	/
额定扭矩/Torque Tightening(N·m/Lb.in)	M2, 0.2/1.77		
拧紧范围(硬线和软线)/Wire Range(rigid and flexible)(mm <sup>2</sup> /AWG)	1.5/30~16		
间距/Pitch(mm)/线数范围/oles	3.81/N=02~24P		
引线长度/Stripping length(mm)	8~9		
使用温度范围/Operating temperature(°C)	-40~+105		
符合RoHS标准/Conform to RoHS	Yes		

MATERIAL: SURFACE:

MAT NO.: /  
STATUS: /  
APPD: Lon CHH 2020.05.25  
CHKD: Yu JZh 2020.05.25  
DRAFT: Li Zh 2020.05.25

NINGBO DEGSON ELECTRICAL CO., LTD  
15EDGKM-3.81-XXP-1Y-00A(H)

DRAWING NO.: 10002258

REV	ECN	DESCRIPTION	DRAFT	DATE	SIZE: A4	TYPE: CUSTOMER DRAWING	SCALE: 2:1	REV	T0
1									

D C B A

1 2 3 4 5 6