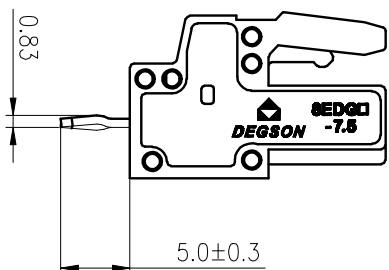
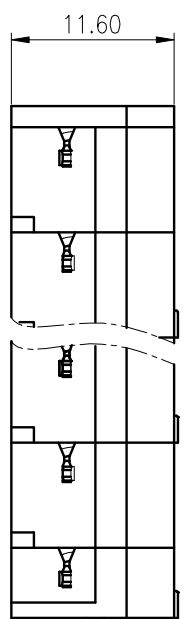
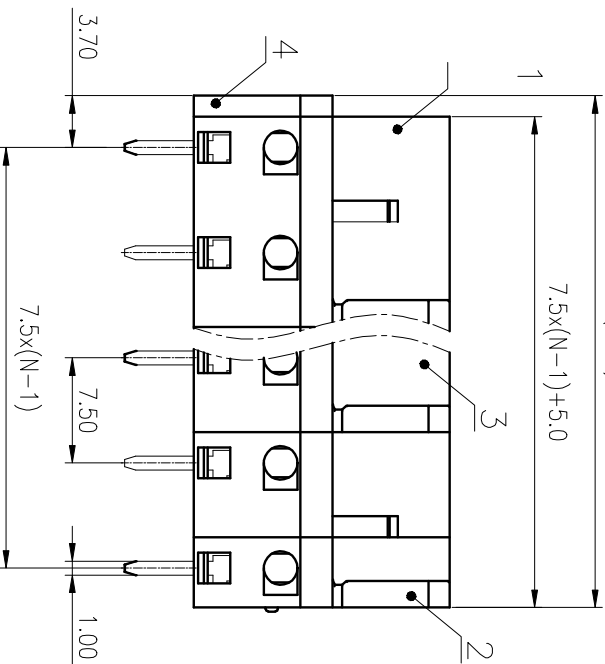
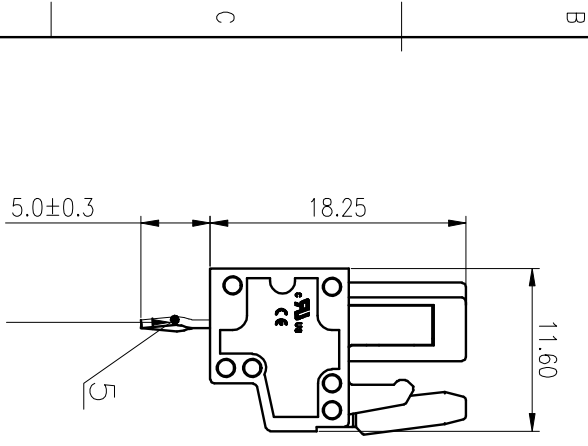


PCB LAYOUT

Bending the pin-header after assembling



4	Clamp	Copper alloy	Sn plated
4	Cover	PA66	UL94V-0
3	Housing2	PA66	UL94V-0
2	Side housing	PA66	UL94V-0
1	Housing1	PA66	UL94V-0



The first pin will bulge to the left

UL 标准 / UL Standard:		B	C	D
额定电压/电涌 / Rated Voltage(V)/Current(A)		300/15	300/15	300/10
IEC 标准 / IEC Standard:				
过压类别 / Overvoltage Category / 污染等级 / Pollution Degree		III/3	III/2	II/2
额定电压/电涌 / Rated Voltage(V)/Current(A)		320/20	/	/
额定脉冲电压 / Rate Impulse Voltage(KV)		4.0	/	/
线径范围(硬线和软线) / Wire Range(rigid and flexible)(mm² / AWG)		/		
间距 / Pitch(mm) / 线数范围 / Poles		7.5 / N=02~12P		
剥线长度 / Stripping length(mm)		6~7		
使用温度范围 / Operating Temperature(°C)		-40~+105		
符合RoHS标准 / Conform to RoHS		Yes		
标准颜色编号 / Standard color number:		PANTONE 428C		
PANTONE / RAL		PANTONE 428C		

MATERIAL:	/	SURFACE:	/
MAT NO.:	/		
STATUS:	/		
APPD:			
CHKD:			

NAME: **DEGSON® NINGBO DEGSON ELECTRICAL CO., LTD**
8EDGB-7.5-XXP-11-01A(H)

DRAWING NO.:	8EDGB-7.5-C02	REV	T0
DFT: WongY1	2020.06.19	SCALE:	2:1
TYPE:	CUSTOMER DRAWING	SHEET	1/1

REV	ECN	DESCRIPTION	DFT	DATE
-----	-----	-------------	-----	------