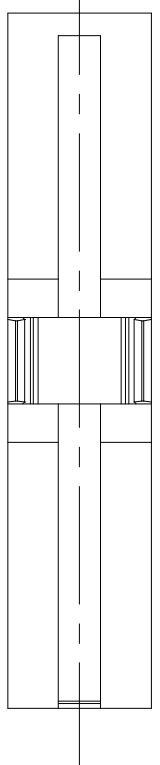
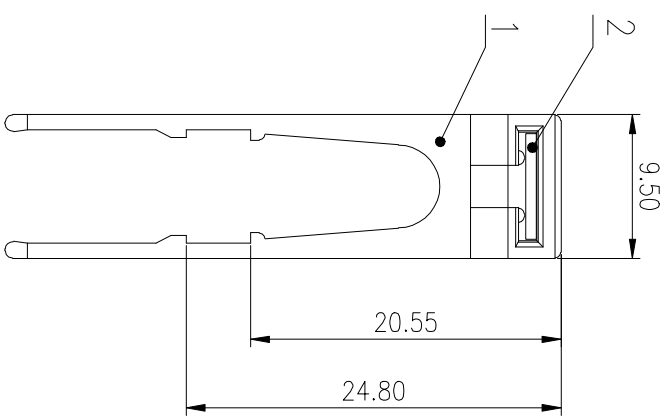
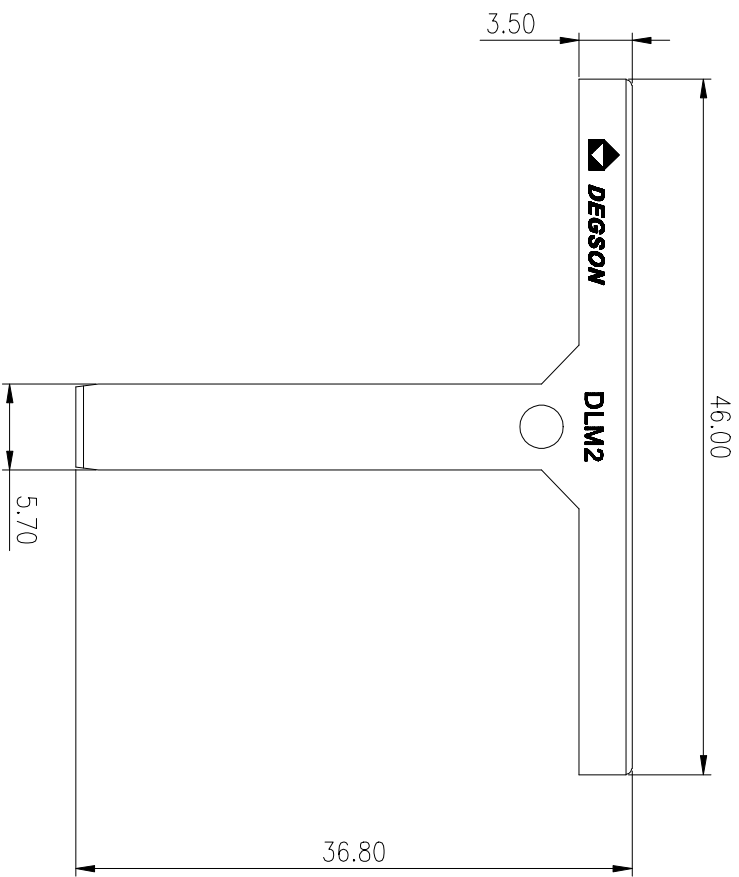


0	>3	>5	>10	>18	>30	>50	>80	>120	>180	>250	>315	>400
~3	~6	~10	~18	~30	~50	~80	~120	~180	~250	~315	~400	~500
±0.1 2	±0.1 8	±0.2 2	±0.2 6	±0.3 1	±0.3 7	±0.5 7	±0.8 0	±0.9 3	±1.0 5	±1.1 5	±1.6 0	±2.2 0



1	2	3	4	5	6
REV	ECN	DESCRIPTION	DRAFT	DATE	

MATERIAL:	/	SURFACE:	/
MAT NO.:	/		
STATUS:	/		
APPD: Li GL	2020.05.21	NAME:	DLM2-01P-1Y-00A(H)
CHKD: Mao J	2020.05.21	DRAWING NO.:	DLM2-C01
DRAFT: Wang LX	2020.05.21	TYPE:	CUSTOMER DRAWING
SIZE: A4		SCALE:	2:1

2	DLM2-Label	
1	DLM2-Housing	PC
ITEM	NAME OF PART	MATERIAL
使用温度范围/Operating temperature(°C)		
符合RoHS环保要求/Conform to RoHS		
标准颜色编号/Standard color number:		
PANTONE / RAL		

**DEGSON** 宁波高松电子有限公司  
NINGBO DEGSON ELECTRICAL