

REVISION RECORD				
REV	ECN	DESCRIPTION	DRFT	DATE

Technical characteristics:

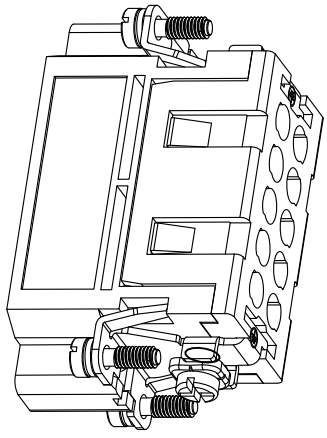
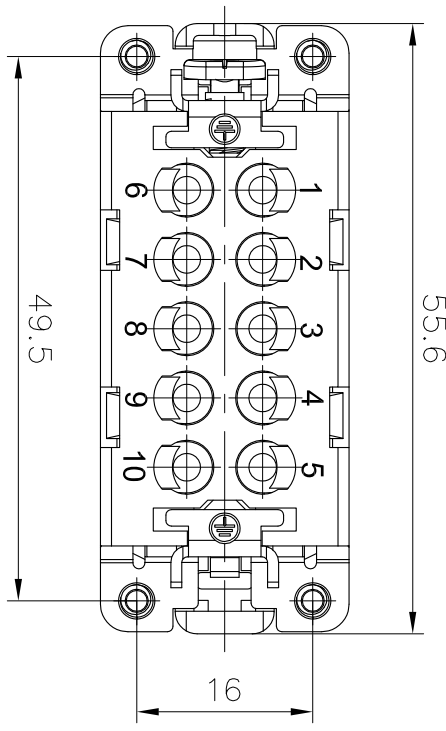
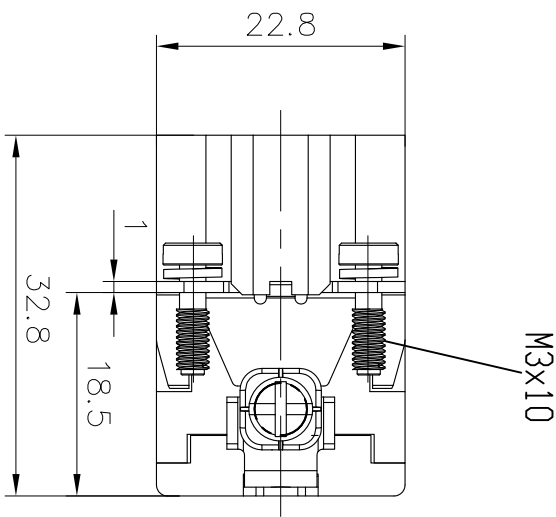
Specifications  
 DIN EN 60 664-1  
 DIN EN 61 984

Inserts

01. Number of contacts : 10+PE
02. Rated Current : 16A
03. Rated Voltage : 250V
04. Pollution degree : 3
05. Rated impulse voltage : 4kV<sup>10</sup>
06. Insulation resistance :  $\geq 10 \Omega$
07. Material: Polycarbonate
08. Colour: RAL 7032 (Light grey)
09. Rated voltage acc. to UL/CSA: 600V
10. Limiting temperatures : -40°C ~ +125°C
11. Flammability acc. to UL94: V0
12. Mechanical working life (mating cycles) :  $\geq 500$

Contacts

01. Material: Copper alloy
  02. Surface: hard-silver plated
  03. Contact resistance :  $\leq 1m\Omega$
  04. Terminal : Crimp terminal
  05. Wire gauge : 0.14-4.0mm<sup>2</sup> (AWG 26-12)
  06. Stripping length : 7.5mm
  07. Rohs Compliance
- Note: Crimp contact pins should order separately



A 8  
 B 7  
 C 6  
 D 5  
 E 4  
 F 3  
 G 2  
 H 1

DETACHED LISTS			
PART NO.:	/	NINGBO DEGSON ELECTRICAL CO., LTD	
APPD:		宁波高松电子有限公司	
CHKD:		DA-010-MC	
DRFT:	YANG	TITLE:	CUSTOMER DRAWING
	2016.07.25	DRAWING NO.:	DA-010-MC-E01
		REV	DO-1
		SHEET	1/1
		SCALE	1.5:1

A 3  
 B 2  
 C 1