

REVISION RECORD

REV	ECN	DESCRIPTION	DRFT	DATE

Technical characteristics:

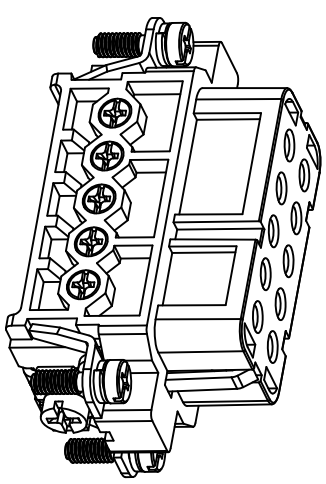
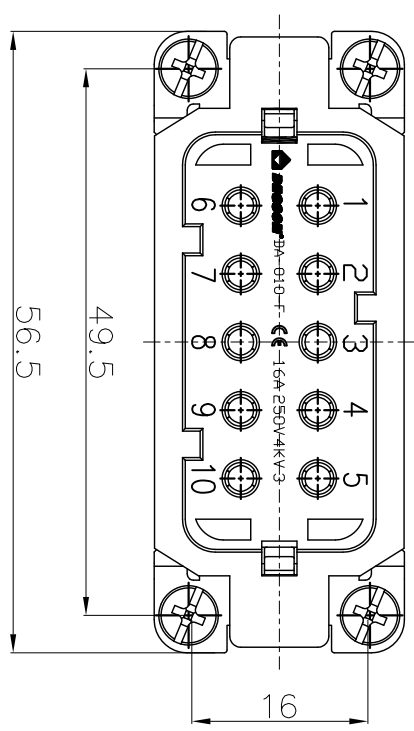
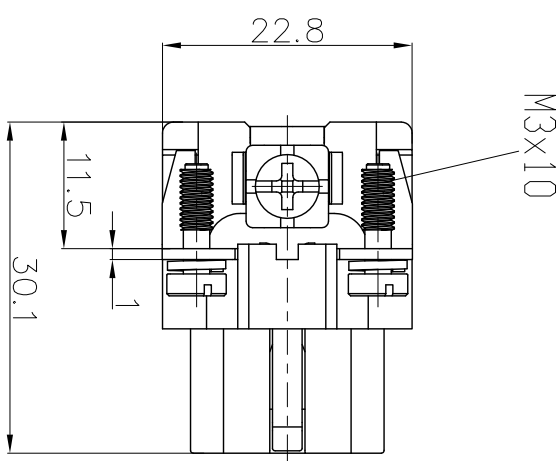
Specifications  
 DIN EN 60 664-1  
 DIN EN 61 984


Inserts

- 01. Number of contacts : 10+PE
- 02. Rated Current : 16A
- 03. Rated Voltage : 250V
- 04. Pollution degree : 3
- 05. Rated impulse voltage : 4kV<sup>10</sup>
- 06. Insulation resistance :  $\geq 10\Omega$
- 07. Material: Polycarbonate
- 08. Colour: RAL 7032 (light grey)
- 09. Rated voltage acc. to UL/CSA: 600V
- 10. Limiting temperatures : -40°C ~ +125°C
- 11. Flammability acc. to UL94: V0
- 12. Mechanical working life (mating cycles) :  $\geq 500$

Contacts

- 01. Material: Copper alloy
- 02. Surface: hard-silver plated
- 03. Contact resistance :  $\leq 1m\Omega$
- 04. Terminal : Screw terminal
- 05. Wire gauge : 1.0-2.5mm<sup>2</sup> (AWG 18-14)
- 06. Tightening torque : 0.5Nm
- 07. Stripping length : 7.5mm
- 08. RoHS Compliance



DETACHED LISTS				
PART NO.:	DA010F	 宁波高松电子有限公司 NINGBO DEGSON ELECTRICAL CO., LTD		
APPD:				
CHKD:		NAME:	DA-010-F	
DRFT: Mr. yang	2016.07.25	TITLE: CUSTOMER DRAWING	REV	DO-1
THIRD ANGLE PROJECTION		DRAWING NO.: DA-010-F-E01	SHEET	1/1
		DO NOT SCALE DRAWING	SCALE	1.5:1