

REVISION RECORD				
REV	ECN	DESCRIPTION	DRFT	DATE

Technical characteristics:
 Specifications
 DIN EN 60 664
 DIN EN 61 984

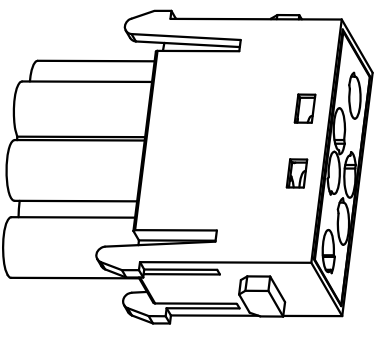
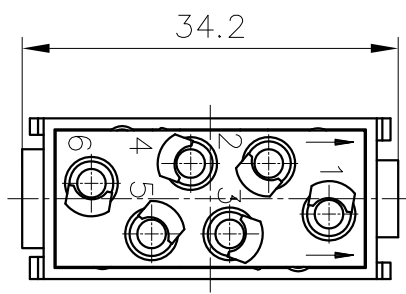
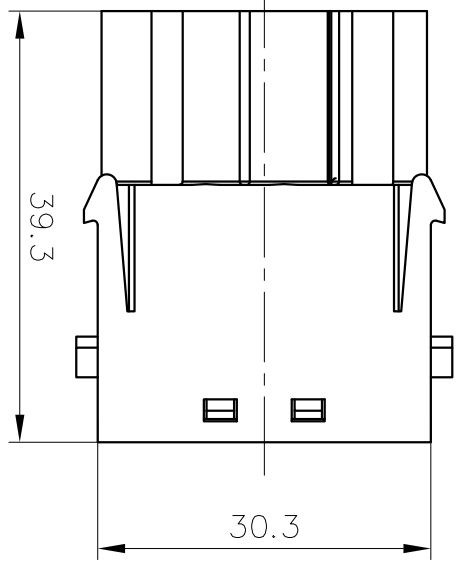
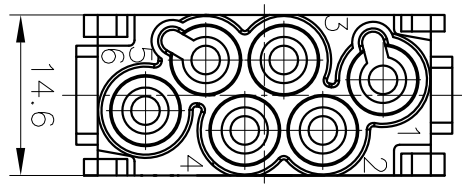
Inserts

01. Number of contacts : 6
02. Rated Current : 16A
03. Rated Voltage : 830V
04. Pollution degree : 3
05. Rated impulse voltage : 8kV¹⁰
06. Insulation resistance : $\geq 10^9 \Omega$
07. Material : Polycarbonate
08. Limiting temperatures : -40°C ~ +125°C
09. Flammability acc. to UL94: V0
10. Mechanical working life (mating cycles) : ≥ 500

Contacts

01. Material: Copper alloy
02. Surface: hard-silver plated
: hard-gold plated
03. Contact resistance : $\leq 1m\Omega$
04. Terminal : Crimp terminal
05. Wire gauge : 0.14-4mm² (AWG 26-12)
06. Rohs Compliance

Note: Crimp contact pins should order separately



A 8

B

C

D

E

F

G

H

7

6

5

4

3

2

1

DETACHED LISTS			
PART NO.:	/	NINGBO DEGSON ELECTRICAL CO., LTD	
APPD:		宁波高松电子有限公司	
CHKD:		DVM E-006-MC	
DRFT:	Mf.yong 2016.08.22	TITLE:	CUSTOMER DRAWING
THIRD ANGLE PROJECTION		DRAWING NO.:	DO NOT SCALE DRAWING
		SCALE	1.5:1

A

B

C

D

E

F

G

H