

REVISION RECORD				
REV	ECN	DESCRIPTION	DRFT	DATE

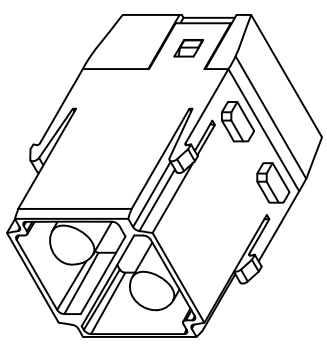
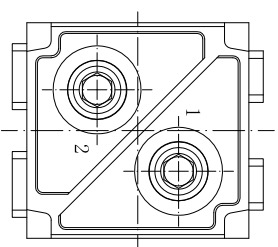
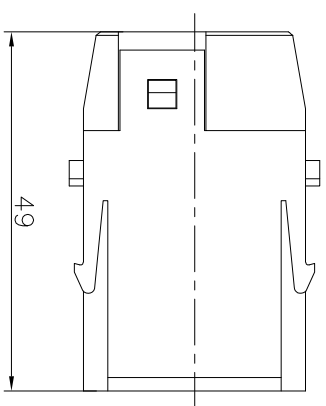
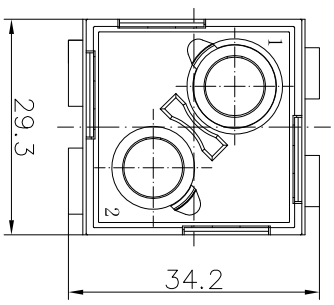
Technical characteristics:
 Specifications
 DIN EN 60 664-1
 DIN EN 61 984

Inserts

01. Number of contacts :2
02. Rated Current :100A
03. Rated Voltage :1000V
04. Pollution degree :3
05. Rated impulse voltage :8kv¹⁰
06. Insulation resistance :≥10¹⁰Ω
07. Material:Polycarbonate
08. Rated voltage acc. to UL:600V
09. Limiting temperatures :-40℃~+125℃
10. Flammability acc. to UL94:V0
11. Mechanical working life (mating cycles) :≥500

Contacts

01. Material:Copper alloy
02. Surface:hard-silver plated
03. Contact resistance :0.3mΩ
04. Terminal :Axial screw terminal
05. Wire gauge :10-25mm²
06. Hexagonal driver:SW4
07. Stripping length :13mm
08. Tightening torque :6-8Nm
09. Rohs Compliance



DETACHED LISTS			
PART NO.:	/	NAME:	DEGSON ® NINGBO DEGSON ELECTRICAL CO.,LTD 宁波高松电子有限公司
APPD:			
CHKD:			
DRFT:	YONG	2016.08.22	TITLE: CUSTOMER DRAWING
			REV: DO-1
			SHEET: 1/1
			SCALE:
			DO NOT SCALE DRAWING
			THIRD ANGLE PROJECTION

A 8 7 6 5 4 3 2 1