

REVISION RECORD				
REV	ECN	DESCRIPTION	DRFT	DATE

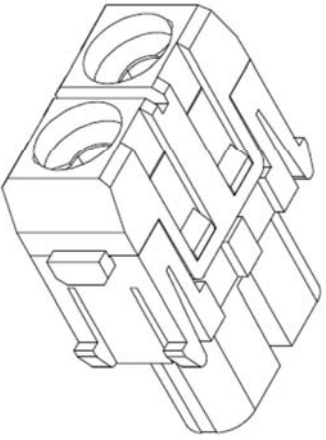
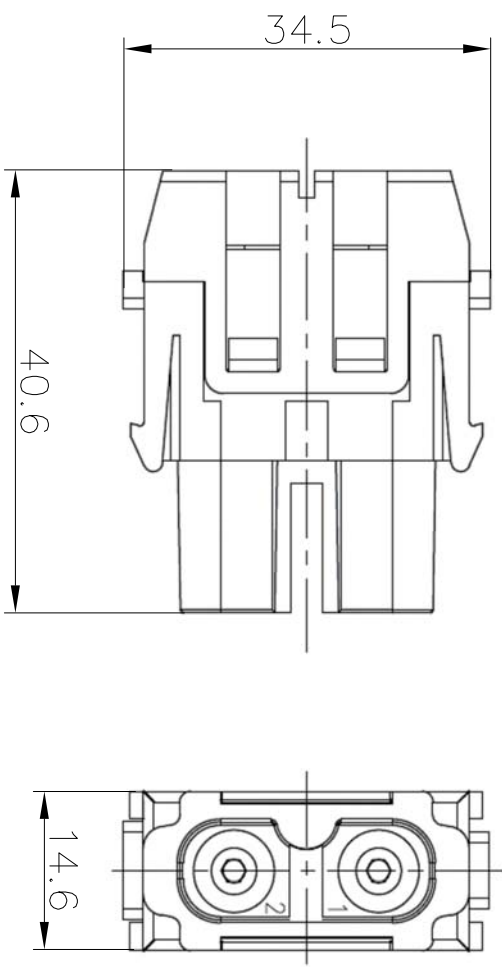
Technical characteristics:
 Specifications
 DIN EN 60 664
 DIN EN 61 984

Inserts

01. Number of contacts : 2
02. Rated Current : 40A
03. Rated Voltage : 1000V
04. Pollution degree : 3
05. Rated impulse voltage : 8kv¹⁰
06. Insulation resistance : $\geq 10^9 \Omega$
07. Material : Polycarbonate
08. Rated voltage acc. to UL : 600V
09. Limiting temperatures : -40°C ~ +125°C
10. Flammability acc. to UL94 : V0
11. Mechanical working life (mating cycles) : ≥ 500

Contacts

01. Material : Copper alloy
02. Surface : hard-silver plated
03. Contact resistance : $\leq 1m\Omega$
04. Terminal : Axial screw terminal
05. Wire gauge : 6-10mm²
06. Hexagonal driver : SW2
07. Stripping length : 6~11mm
08. Tightening torque : 1.5-2Nm
09. Rohs Compliance



DETACHED LISTS			
PART NO.:	/	NAME:	DEGSON 宁波高松电子有限公司 NINGBO DEGSON ELECTRICAL CO., LTD
APPD:		CHKD:	
DRFT:	YONG	2016.08.22	TITLE: CUSTOMER DRAWING
			DRAWING NO.:
			DO NOT SCALE DRAWING
			SCALE
			REV
			DRFT
			DATE
			1.5:1
			1/1
			DO-1

A 8 7 6 5 4 3 2 1