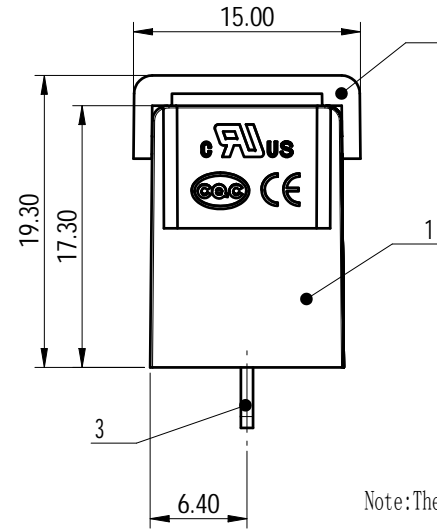
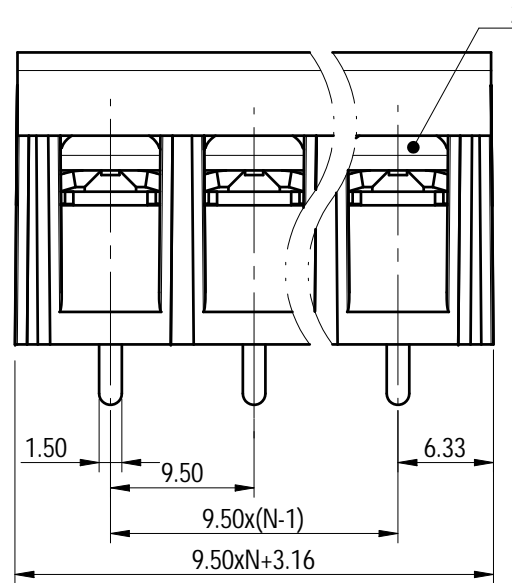
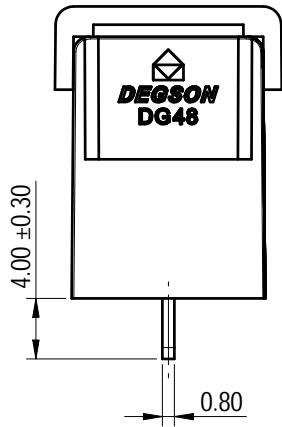
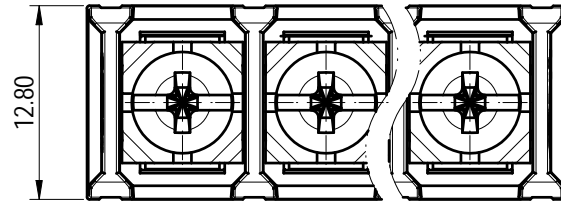


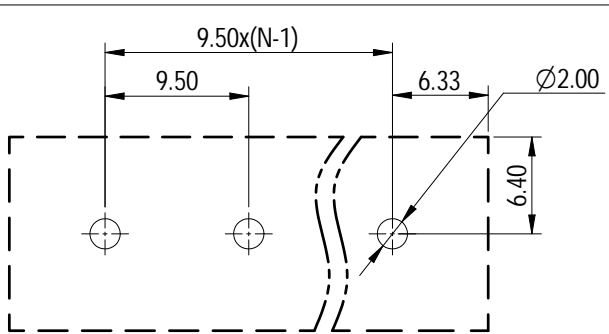
未注公差/General tolerances (mm)													0.1/10 ±2'	
0 ~ 3	>3 ~ 6	>6 ~ 10	>10 ~ 18	>18 ~ 30	>30 ~ 50	>50 ~ 80	>80 ~ 120	>120 ~ 180	>180 ~ 250	>250 ~ 315	>315 ~ 400	>400 ~ 500		>500
±0.12	±0.18	±0.22	±0.26	±0.31	±0.37	±0.57	±0.80	±0.93	±1.05	±1.15	±1.60	±2.20	±2.50	

(W/O COVER VIEW)



Note: The A&Z(H) in the name means: A(H) and Z(H).

ITEM	NAME OF PART	MATERIAL	NOTES
4	Cover	PC	UL94V-2
3	Pin header	Copper alloy	Sn Plated
2	Screw	Steel	Ni Plated
1	Housing	PA66	UL94V-0



PCB LAYOUT

UL 标准/UL Standard:	B	C	D
额定电压/电流/Rated Voltage(V)/Current(A)	300/20	/	/
螺丝扭矩/Torque Tightening(N·m/Lb.in)	M4, 1.2/10.53		
线径范围(硬线和软线)/Wire Range(rigid and flexible)(AWG)	22~12		
间距/Pitch(mm)/线数范围/Poles	9.50/N=02~22P		
使用温度范围/Operating temperature(°C)	-40~+105		
符合RoHS环保要求/Conform to RoHS	Yes		

DEGSON		MATERIAL:	SURFACE/COLOR:		
APPD: 蓝贵凡	2022.11.21	MAT NO./REV: - / 00	MAT STATUS: 批量		
CHKD: 曹利彬	2022.11.21	NAME			
DRFT: 姜民洁	2022.11.21	DG48C-B-XXP-1Y-00A&Z(H)			
④	A4	DRAWING NO. 200120505	TYPE CUSTOMER DRAWING	DRAWING STATUS 已发布	SHEET 1/1

REV	ECN	DESCRIPTION	DRFT	DATE
00				

Transfer or duplication of this document as well as the utilization or communication of its content are prohibited unless authorized in writing by Degson. All rights reserved for patent, utility model or design registrations. 除专利等明确标注外, 未经授权, 禁止复制或传播。 凡在本文件内容中出现的 Degson 名称, 均指 Degson 公司或其关联公司所有之权利。