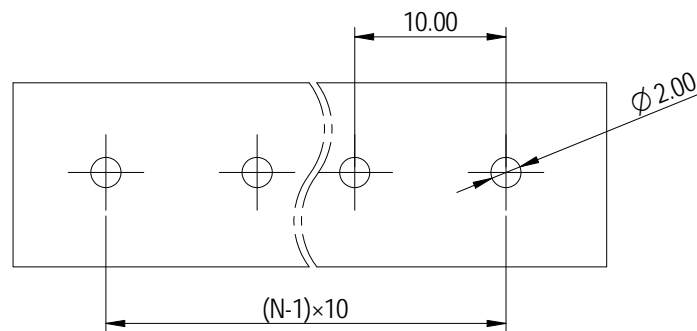
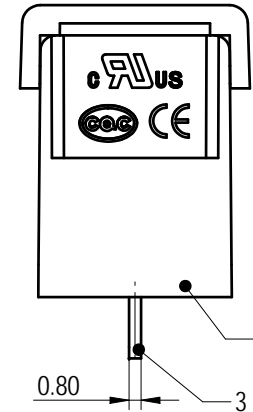
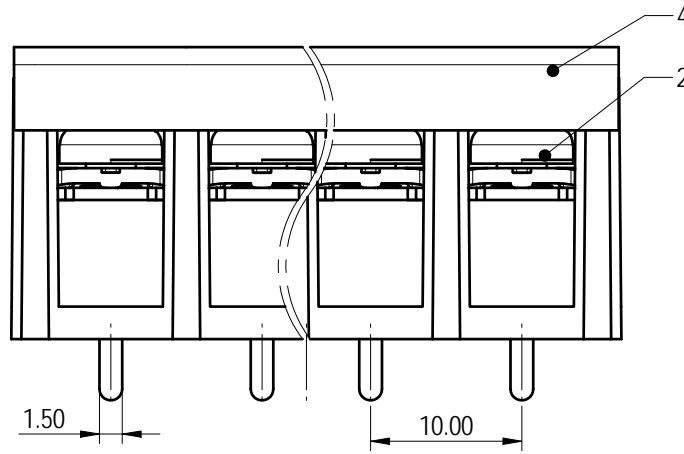
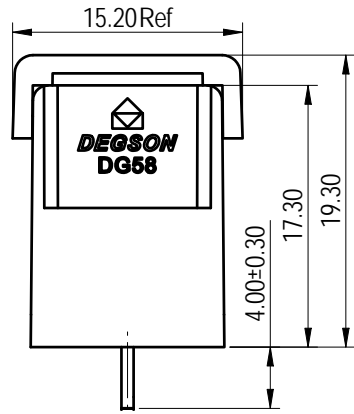
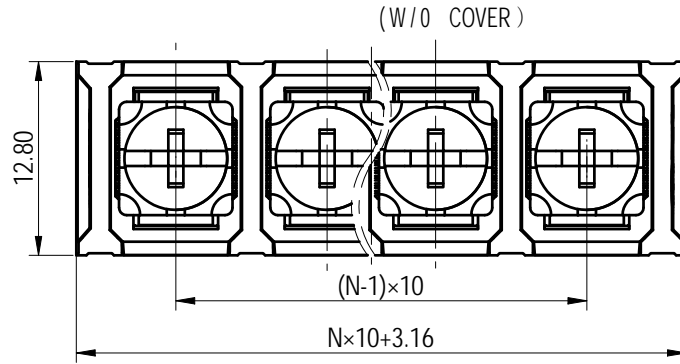


未注公差/General tolerances (mm)												0.1/10 ±2'	
0 ~ 3	>3 ~ 6	>6 ~ 10	>10 ~ 18	>18 ~ 30	>30 ~ 50	>50 ~ 80	>80 ~ 120	>120 ~ 180	>180 ~ 250	>250 ~ 315	>315 ~ 400		>400 ~ 500
±0.12	±0.18	±0.22	±0.26	±0.31	±0.37	±0.57	±0.80	±0.93	±1.05	±1.15	±1.60	±2.20	±2.50



Note: The A&Z(H) in the name means: A(H) and Z(H).

ITEM	NAME OF PART	MATERIAL	NOTES
4	Cover	PC	UL94V-2
3	Pin header	Copper alloy	M4/Sn Plated
2	Screw	Steel	M4/Ni Plated
1	Housing	PA66	UL94V-0

UL 标准/UL Standard:	B	C	D
额定电压/电流/Rated Voltage(V)/Current(A)	300/20	/	300/10
螺丝扭矩/Torque Tightening(N·m/Lb.in)	M4, 1.2/10.53		
线径范围(硬线和软线)/Wire Range(rigid and flexible)(AWG/mm <sup>2</sup> )	22~12		
间距/Pitch(mm)/线数范围/Poles	10.00/N=02~22P		
使用温度范围/Operating temperature(°C)	-40~+105		
符合RoHS环保要求/Conform to RoHS	Yes		

DEGSON		MATERIAL:	SURFACE/COLOR:
APPD: 蓝贵凡	2022.12.05	MAT NO./REV: / 00	MAT STATUS: 批量
CHKD: 曹利彬	2022.12.05	NAME DG58C-B-XXP-1Y-00A&Z(H)	
DRFT: 孙科豪	2022.12.05	DRAWING NO. 200120467	TYPE CUSTOMER DRAWING
REV 00	ECN	DESCRIPTION	DRAWING STATUS 已发布
DRFT	DATE	SCALE 2:1	SHEET 1/1

REV	ECN	DESCRIPTION	DRFT	DATE
00				

Transfer or duplication of this document as well as the utilization or communication of its content are prohibited unless authorized in writing. All rights reserved for patent, utility model or design registrations. 除专利权明确标注外, 其他内容均受法律保护。未经许可, 不得复制或传播。本公司保留对产品及技术改进的所有权利。