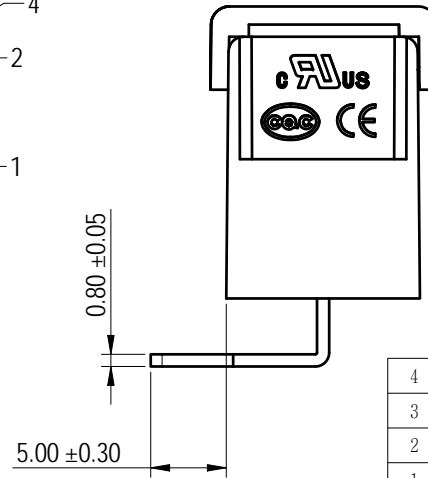
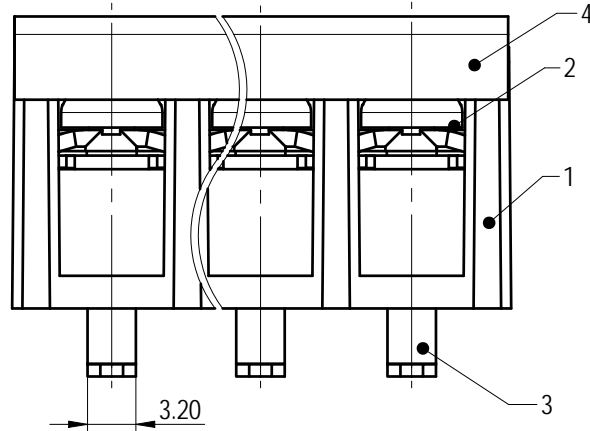
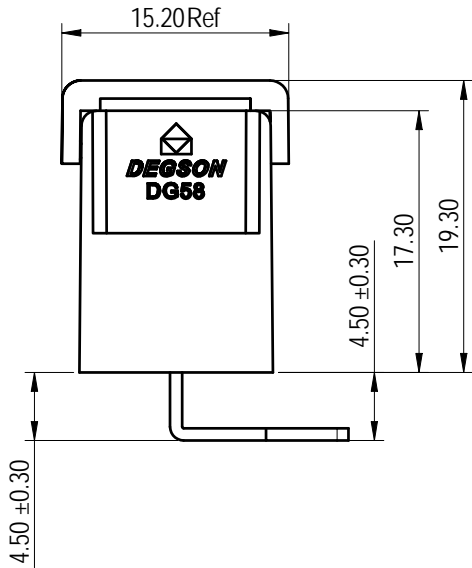
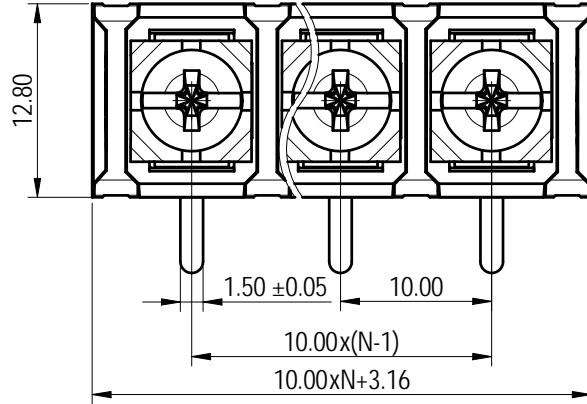


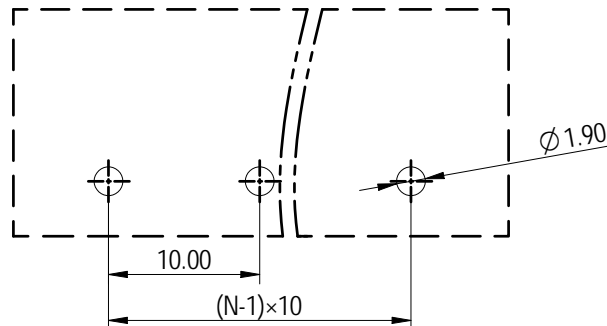
(W/O COVER VIEW)



Note: The A&Z(H) in the name means: A(H) and Z(H).

ITEM	NAME OF PART	MATERIAL	NOTES
4	Cover	PC	UL94V-2
3	Pin header	Copper alloy	M4/Sn plated
2	Screw	Steel	M4/Ni plated
1	Housing	PA66	UL94V-0

PCB LAYOUT



UL 标准/UL Standard:		B	C	D
额定电压/电流/Rated Voltage(V)/Current(A)		300V/20	/	300/10
螺丝扭矩/Torque Tightening(Lb.in)		M4, 10.53		
线径范围(硬线和软线)/Wire Range(rigid and flexible)(AWG/mm²)		22~12		
线数范围/Poles		N=02~20P		
使用温度范围/Operating temperature(°C)		-40~+105		
符合RoHS环保要求/Conform to RoHS		Yes		
标准颜色编号/Standard color number: PANTONE / RAL		/		

DEGSON		MATERIAL:	SURFACE/COLOR:		
APPD: 蓝贵凡 2022.12.05		MAT NO./REV:	/ 00 MAT STATUS: 批量		
CHKD: 曹利彬 2022.12.05		NAME			
DRFT: 孙科豪 2022.12.05		DG58R-B-XXP-1Y-00A&Z(H)			
DRAWING NO.	TYPE	DRAWING STATUS	SCALE	SHEET	
200071307	CUSTOMER DRAWING	已发布	2:1	1/1	

REV	ECN	DESCRIPTION	DRFT	DATE
00				

Transfer or duplication of this document as well as the utilization or communication of its contents are prohibited unless authorized in writing. All rights reserved for patent, utility model or design registrations. 除专利、实用新型、外观设计、软件著作权、集成电路布图设计专有权、商标、实用新型、发明专利、软件著作权、集成电路布图设计专有权、其他知识产权外，所有权利均保留。