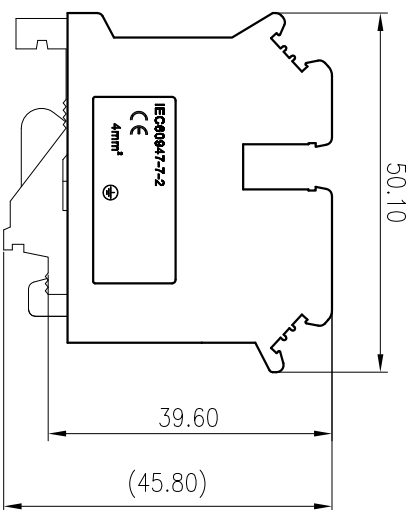
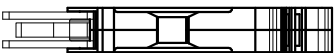
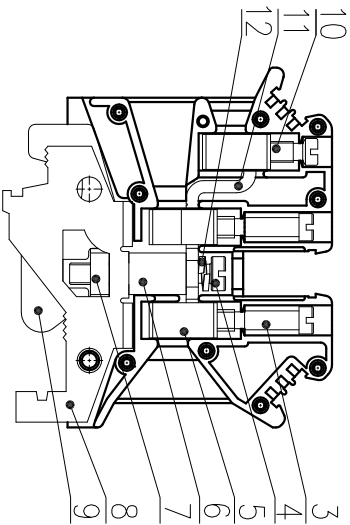


W/O Housing2



公差表/General tolerances(mm)	
0	>3
~	~
3	6
±0.12	±0.18
>5	>10
>10	>30
>30	>50
>50	>80
>80	>120
>120	>180
>180	>250
>250	>315
>315	>400
>400	>500
>500	>1000
±0.22	±0.26
±0.31	±0.37
±0.57	±0.80
±0.93	±1.05
±1.15	±1.60
±2.20	±2.50
0.1/10	
IT7	

ITEM	NAME OF PART	MATERIAL	NOTES
12	Profile Gasket	Stainless steel	Ni Plated
11	Current Carrier	Copper	Sn Plated
10	Screw3	Copper Alloy	Ni Plated
9	Securing Fitting	Steel	Zn Plated
8	Slip Component	Copper Alloy	Ni Plated
7	Abnormity Nut	Copper Alloy	Ni Plated
6	Bar Copper	Copper Alloy	Ni Plated
5	Cage	Copper Alloy	Ni Plated
4	Screw2	Copper Alloy	Ni Plated
3	Screw1	Copper Alloy	Ni Plated
2	Housing2	PA66	UL94V-0
1	Housing1	PA66	UL94V-0

REV	ECN	DESCRIPTION	DRFT	DATE
1	2			

UL 标准/UL Standard:	B	C	D
额定电压/电流/Rated Voltage(V)/Current(A)	/	/	/
EC 标准/IEC Standard:	/	/	/
过压类别/Overvoltage Category/污染等	III/3	/	/
级/Pollution Degree	/	/	/
额定电压/电流/Rated Voltage(V)/Current(A)	/	/	/
额定脉冲电压(KV)/Rate Impulse Voltage(KV)	6.0	/	/
额定脉冲电压(KV)/Rate Impulse Voltage(KV)	M3, 0.5/4.43	/	/
额定范围(硬线和软线)/Wire Range(rigid and flexible)(mm <sup>2</sup> /AWG)	0.2~4/24~14	/	/
间距/Pitch(mm)	6.20	/	/
剥线长度/Stripping length(mm)	7-8	/	/
使用温度范围/Operating temperature(°C)	-40~+105	/	/
符合RoHS环保要求/Conform to RoHS	Yes	/	/
标准颜色编号/Standard color number:	PANTONE / RAL	/	/

MATERIAL: SURFACE:

MAT NO.:	/	宁波高松电子有限公司 NINGBO DEGSON ELECTRICAL CO., LTD
STATUS:	/	
APPD: Lj GL	2020.04.03	NAME:
CHKD: Mao J	2020.04.03	PC4-TW-PE-01P-1Y-00A(H)
DRFT: LXX	2017.12.25	DRAWING NO.:
		PC4-TW-PE-C01

SIZE: A4	mm (inch)	TYPE: CUSTOMER DRAWING	SCALE: 1:1	REV	T1
				SHEET	1/1