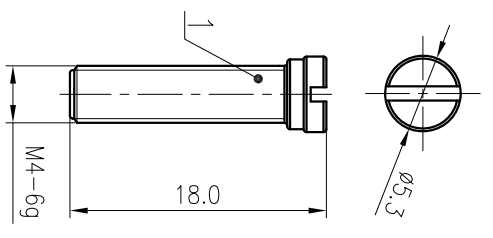
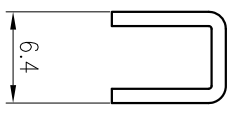
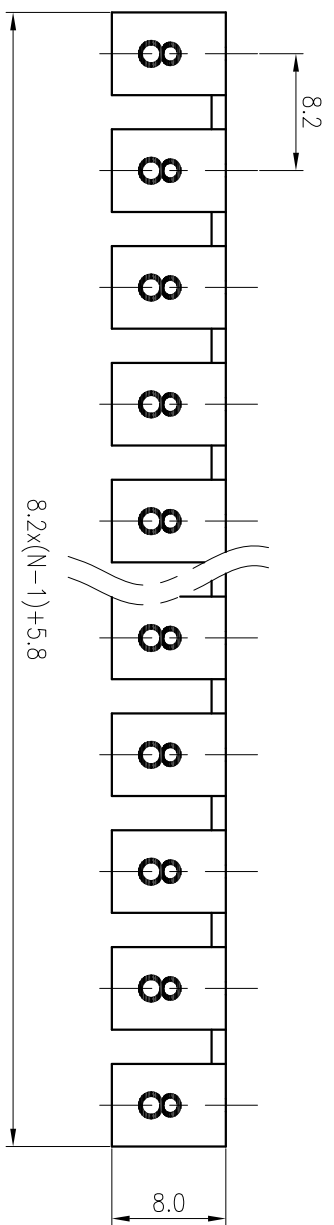
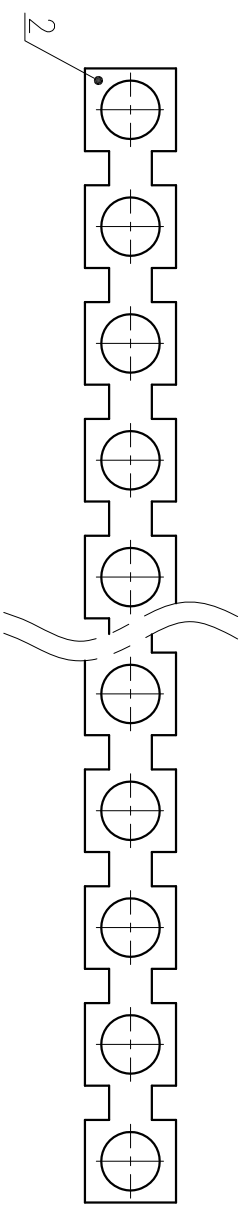


标注公差/General tolerances(mm)		0.1/10
0	>3	±Z
~	>6	±Z
~	>10	±Z
~	>18	±Z
~	>30	±Z
~	>50	±Z
~	>80	±Z
~	>120	±Z
~	>180	±Z
~	>250	±Z
~	>315	±Z
~	>400	±Z
~	>500	±Z
~	>500	±Z
±0.12	±0.18	±Z
±0.22	±0.26	±Z
±0.31	±0.37	±Z
±0.57	±0.80	±Z
±0.93	±1.05	±Z
±1.15	±1.60	±Z
±2.20	±2.50	±Z



2	Current carrier	Copper	Sn Plated
1	Screws	Copper alloy	Ni Plated
ITEM	PART NAME	MATERIAL	NOTES
	螺丝扭矩/Torque Tightening(N·m/Lb.in)	M4.1.2/10.53	
	使用温度范围/Operating Temperature(°C)	-40~+105	
	间距/Pitch(mm)/线数范围/Poles	8.2/N=02P~10P	
载流导体与螺丝分开包装于同一内盒中/Current carrier and Screws should be packed individually, which must be put in the same box			
符合RoHS环保要求/Conform to RoHS			
Yes			

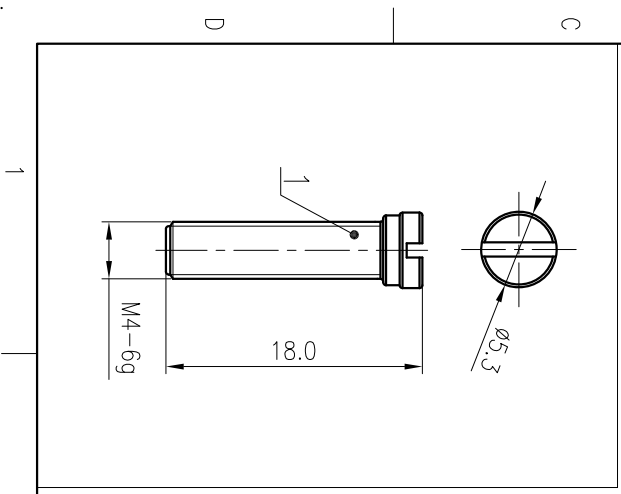
SURFACE: /

**DEGSON**® 宁波高松电子有限公司  
NINGBO DEGSON ELECTRICAL CO., LTD

**FBIXX-8**

MAT NO.:	/	NAME:	
STATUS:	/	APPD:	LI GL 2020.06.04
CHKD:	Mao J 2020.06.04	DRFT:	Chen K 2020.06.04
DRAWING NO.:	FBIXX-8-C01	SCALE:	2:1
TYPE:	CUSTOMER DRAWING	REV	T1
SIZE:	A4	SHEET	1/1

REV	ECN	DESCRIPTION	DRFT	DATE



A B C D

A B C D

1 2 3 4 5 6