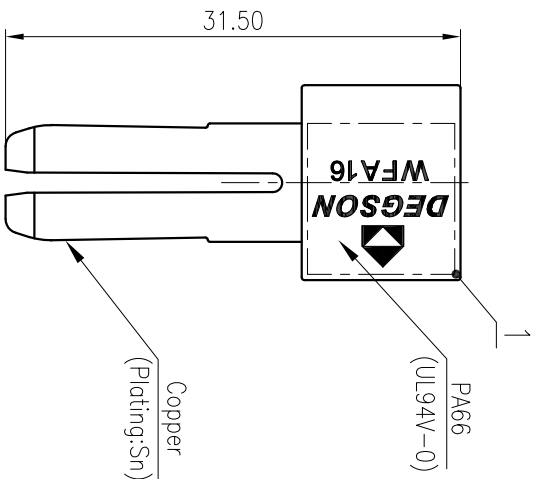
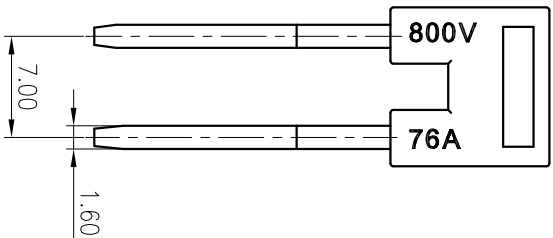
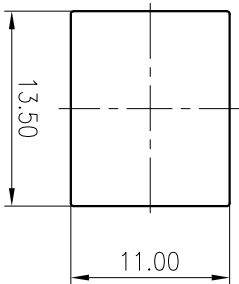


公差表/General Tolerances(mm)		0.1/10
0	>3	~
~	>6	~
3	>10	~
~	>18	~
6	>30	~
10	>50	~
18	>80	~
30	>120	~
50	>180	~
80	>250	~
120	>315	~
180	>400	~
250	>500	~
315	>630	~
400	>800	~
500	>1000	~
±0.12	±0.18	±2
±0.22	±0.26	±2.50
±0.31	±0.37	
±0.57	±0.80	
±0.93	±1.05	
±1.15	±1.60	
±2.20	±2.50	



ITEM	NAME OF PART	MATERIAL	NOTES
1	WFA16-01P-1Y-00A(H)		
间距/Pitch(mm)/间距范围/Poles: 7.00/01P			
使用温度范围/Operating temperature(°C): -40~+105			
符合RoHS环保要求/Conform to RoHS: Yes			

MATERIAL:

SURFACE:

MAT NO.: /
 STATUS: /
 APPD: Li GL 2020.06.06
 CHKD: Moo J 2020.06.06
 DRT: Feng X 2020.05.23

DEGSON® 宁波高松电子有限公司
 NINGBO DEGSON ELECTRICAL CO., LTD

NAME: WFA16-01P-11-00A(H)
 DRAWING NO.: WFA16-C01

REV	ECN	DESCRIPTION	DRT	DATE	SIZE: A4	SCALE: 2:1	SHEET
					mm (inch)		1/1

A B C D 1 2 3 4 5 6