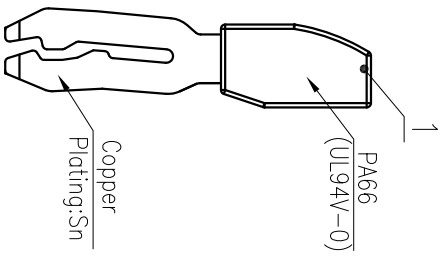
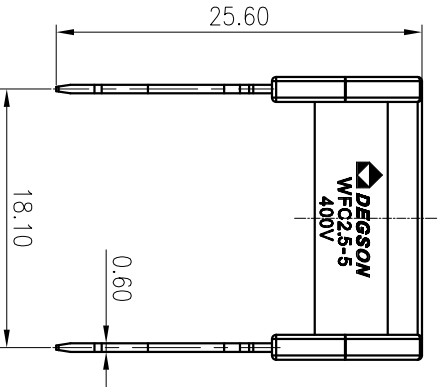
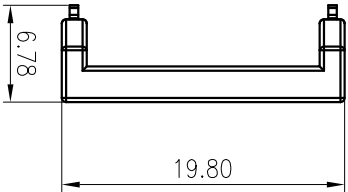


公差表/General tolerances(mm)		0.1/10	±2°
0	>3	>50	>180
3	6	10	18
±0.12	±0.18	±0.22	±0.26
±0.31	±0.37	±0.57	±0.80
±1.05	±1.15	±1.60	±2.20
±2.50			



ITEM	NAME OF PART	MATERIAL	NOTES
1	WFC2.5-5-01P-1Y-00A(H)		
可耐/Pitch(mm)/线数范围/Poles 使用温度范围/Operating temperature(°C) 符合RoHS环保要求/Conform to RoHS			
SURFACE:			Yes

MATERIAL:

MAT NO.:

STATUS:

APPD: Lj GL 2020.06.06

CHKD: Mgo J 2020.06.06

DRFT: Feng X 2020.05.26

DEGSON® 宁波高松电子有限公司
NINGBO DEGSON ELECTRICAL CO., LTD

NAME: WFC2.5-5-01P-1Y-00A(H)

DRAWING NO.: WFC2.5-5-C01

TYPE: CUSTOMER DRAWING

SCALE: 2:1 SHEET 1/1

REV ECN DESCRIPTION DRFT DATE

SIZE: A4

SCALE: 2:1

SHEET 1/1