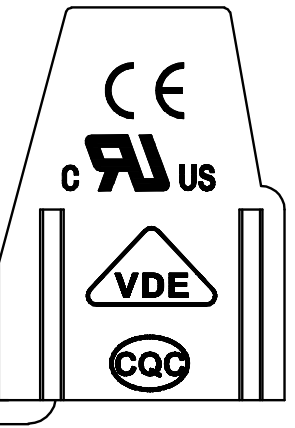
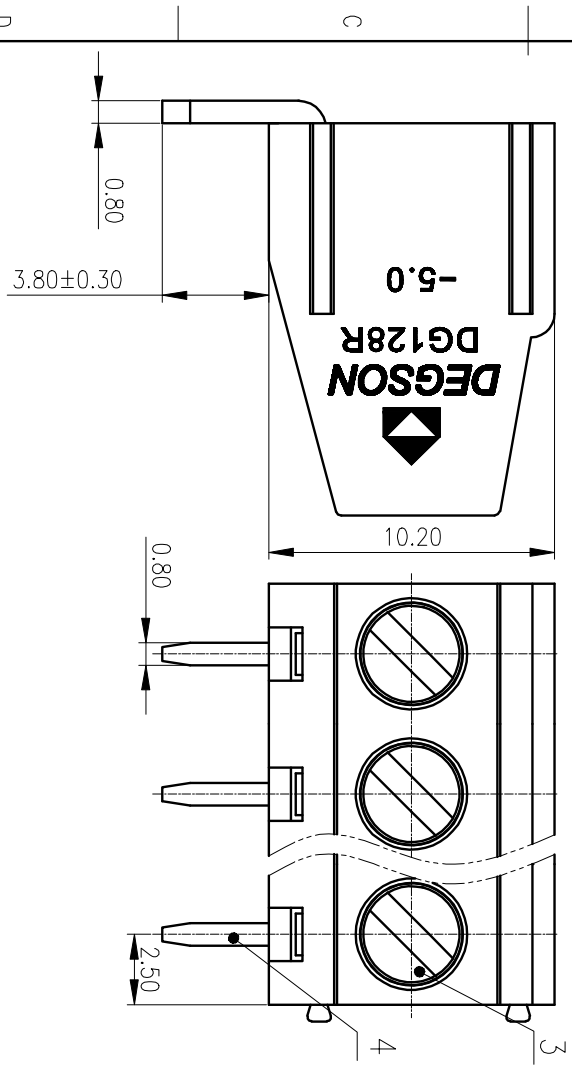
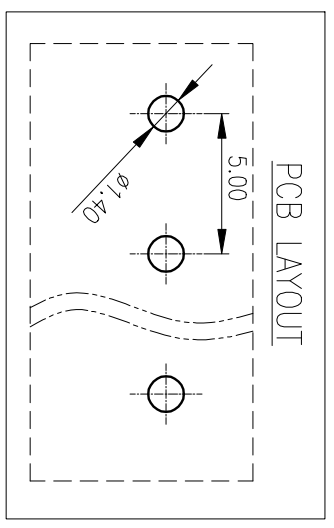
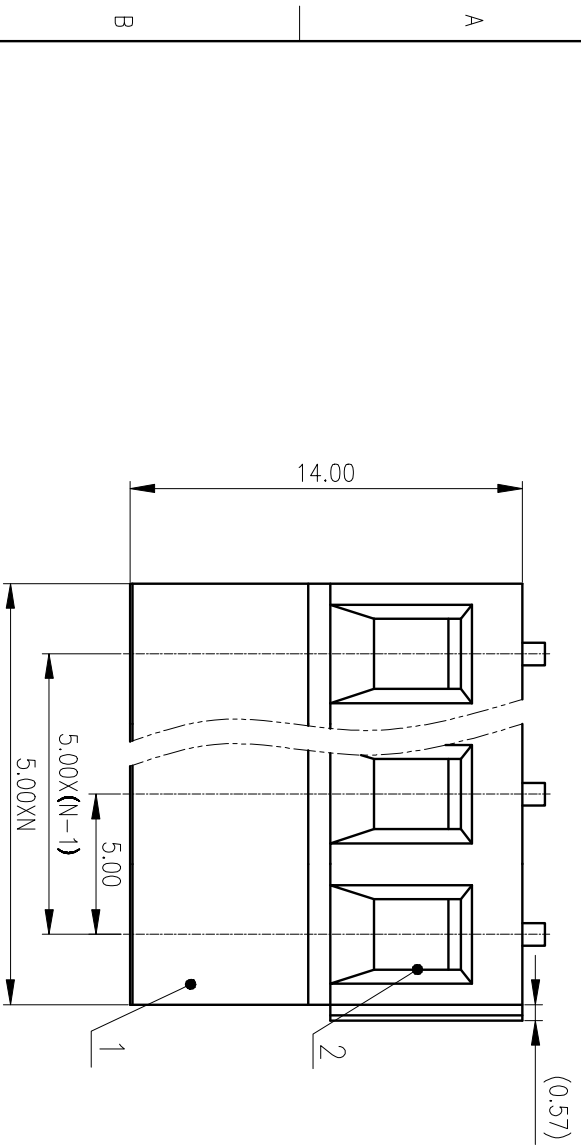


精度等级/General	tolerance/(mm)	0	>3	>6	>10	>18	>30	>50	>80	>120	>180	>250	>315	>400	>500	0.1/1/10
~	~	~	~	~	~	~	~	~	~	~	~	~	~	~	~	±Z
±0.12	±0.18	±0.22	±0.26	±0.31	±0.37	±0.57	±0.80	±0.93	±1.05	±1.15	±1.60	±2.20	±2.50			



ITEM	NAME OF PART	MATERIAL	NOTES
4	Pin Header	Copper Alloy	Sn Plated
3	Screw	Steel	M2.5/Zn Plated
2	Cage	Copper Alloy	M2.5/Ni Plated
1	Housing	PA66	UL94V-0

UL 标准 /UL Standard:	B	C	D
额定电压/电涌/Rated Voltage(V)/Current(A)	300/20	/	300/10
IEC 标准 /IEC Standard:			
过压类别/Overvoltage Category/污染等级	III/3	III/2	II/2
额定电压/电涌/Rated Voltage(V)/Current(A)	/	250/18	/
工频耐压/Withstanding Voltage(V/Min)	/	AC2000	/
拧紧扭矩/Torque Tightening(N·m/Lbin)	M2.5: 0.4	3.5, 5.4	
线径范围(硬线和软线)/Wire Range(rigid and flexible)(mm ² /AWG)	1.0~2.5/30~12		
可焊/Pitch(mm)/线径范围/Poles	5.0/N=02~24P		
引线长度/Stripping length(mm)	6~7		
使用温度范围/Operating temperature(°C)	-40~+105		
符合RoHS环保要求/Conform to RoHS	Yes		

MATERIAL: /
SURFACE: /

NINGBO DEGSON ELECTRICAL CO., LTD

NAME: DG128R-5.0-XXP-1Y-00A(H)

REV	ECN	DESCRIPTION	DRAFT	DATE	SIZE: A4	SCALE: 4:1	SHEET
1	2	3	4	5	6	1/1	1/1