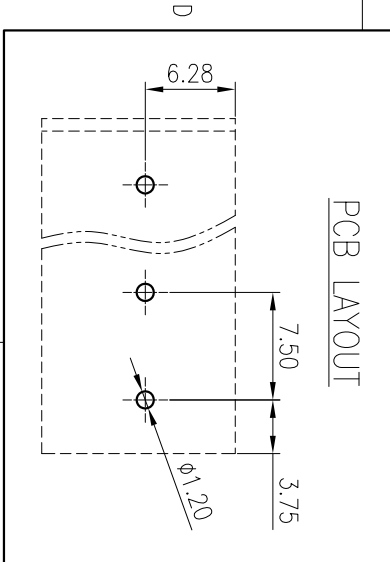
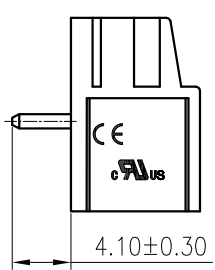
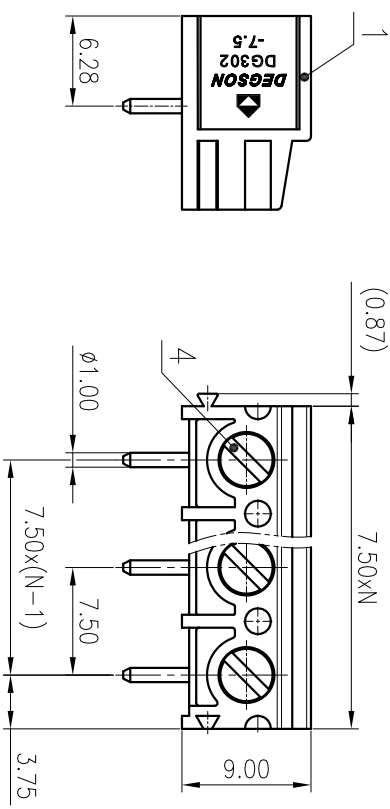
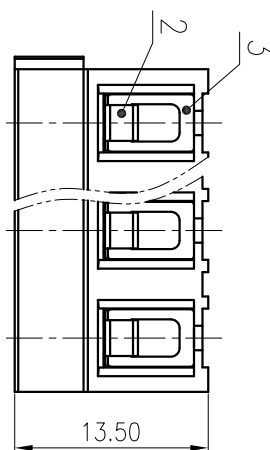


公差/General Tolerances(mm)	
0	>3
~	>6
~	>10
~	>18
~	>30
~	>50
~	>80
~	>120
~	>180
~	>250
~	>315
~	>400
~	>500
~	>630
~	>800
~	>1000
±0.12	±0.18
±0.20	±0.25
±0.30	±0.35
±0.40	±0.45
±0.50	±0.55
±0.60	±0.65
±0.70	±0.75
±0.80	±0.85
±0.90	±0.95
±1.00	±1.05
±1.20	±1.30
±1.50	±1.60
±2.00	±2.50
0.1/1.0	0.1/1.0
±2	±2



ITEM	NAME OF PART	MATERIAL	NOTES
4	Screw	Steel	M3/Zn plated
3	Pin header	Copper alloy	M3/Sn plated
2	Spring	Stainless steel	
1	Housing	PA66	UL94V-0

UL 标准/UL Standard:		B	C	D
额定电压/Rated Voltage(V)	Current(A)	300/20	/	300/10
EC 标准/IEC Standard:				
过压类别/Overvoltage Category/污染等级				
级/Pollution Degree		III/2		
额定电压/电流/Rated Voltage(V)/Current(A)		400/25		
工频耐压/Withstanding voltage(V/1Min)		AC2500		
拧紧扭矩/Torque Tightening(N·m/Lb·in)		M3: 0.5/4.43		
导线范围(硬导线/软线)/Wire Range(rigid and flexible)(mm ² /AWG)		0.5~4/20~12		
间距/Pitch(mm)/线数范围/Poles		7.5/N=2~16P		
剥线长度/Stripping length(mm)		6.5		
使用温度范围/Operating Temperature(°C)		-40~+105		
符合RoHS环保要求/Conform to RoHS		Yes		

MATERIAL: /
SURFACE: /

MAT NO.: /
STATUS: /

APPD: LonCHH 2020.05.23
CHKD: YUJZh 2020.05.23
DRT: BcYH 2020.05.23

NAME: **DEGSON®** 宁波高松电子有限公司
NINGBO DEGSON ELECTRICAL CO., LTD

DRAWING NO.: 10002128
TYPE: CUSTOMER DRAWING

SCALE: 2:1 SHEET 1/1

REV	EON	DESCRIPTION	DRT	DATE
1				
2				
3				
4				