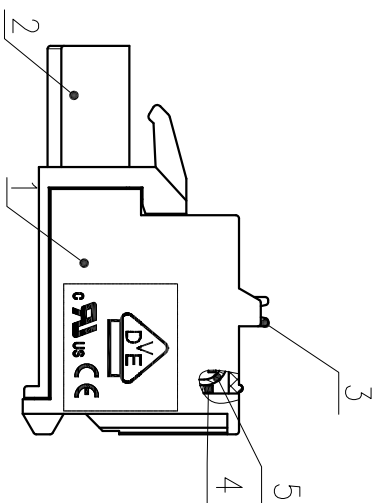
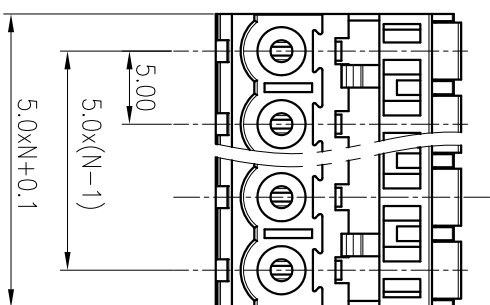
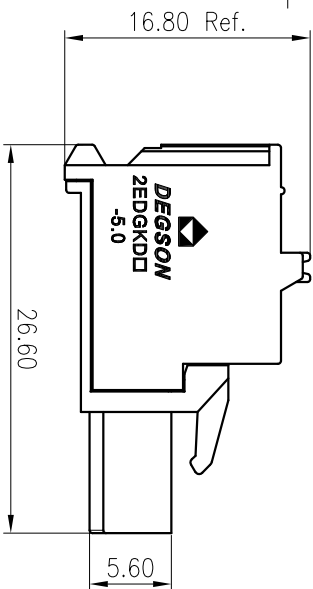
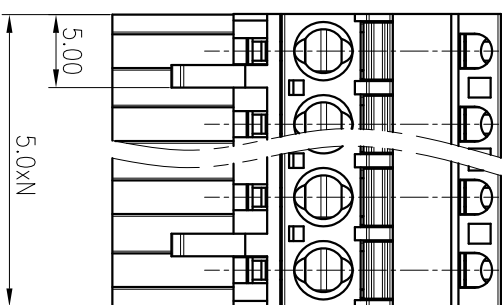
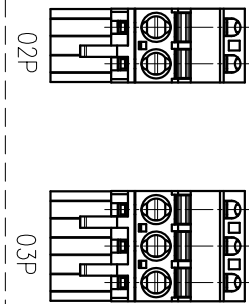


公差表/General tolerances(mm)													
0	>3	>6	>10	>18	>30	>50	>80	>120	>180	>250	>315	>400	0.1/1/10
~	~	~	~	~	~	~	~	~	~	~	~	~	~
3	6	10	18	30	50	80	120	180	250	315	400	500	~
±0.12	±0.18	±0.22	±0.26	±0.31	±0.37	±0.57	±0.80	±0.93	±1.05	±1.15	±1.60	±2.20	±2.50
													±2



5	Spring	Stainless steel		
4	Clamp	Copper Alloy		
3	Button	PA66	UL94V-0	
2	Cover	PA66	UL94V-0	
1	Housing	PA66	UL94V-0	
ITEM	NAME OF PART	MATERIAL	NOTES	
UL 标准/UL Standard: B C D				
额定电压/电流/Rated Voltage(V)/Current(A) 300/10 / 300/10				
EC 标准/IEC Standard: III/2				
过压类别/Overvoltage Category/污染等级 III/2				
级/Pollution Degree				
额定电压/电流/Rated Voltage(V)/Current(A) 320/20				
额定脉冲电压(KV)/Rate Impulse Voltage(KV) 4.0				
线径范围(硬线和软线)/Wire Range(rigid and flexible)(mm ² /AWG) 0.2~2.5/26~12				
间距/Pitch(mm)/线数范围/Poles 5.0/02~24P				
剥线长度/Stripping length(mm) 9~10				
使用温度范围/Operating temperature(°C) -40~+105				
符合RoHS环保要求/Conform to RoHS Yes				
标准颜色编号/Standard color number: /				
PANTONE / RAL				
SURFACE: /				

MATERIAL: /

MAT NO.: /

STATUS: /

APPD: LIGL 2020.06.13

CHKD: Moou 2020.06.13

DRFT: MEK 2018.04.02

NAME: **DEGSON** 宁波高松电子有限公司
NINGBO DEGSON ELECTRICAL CO., LTD

DRAWING NO.: 2EDGKDA-5.0-C01

TYPE: CUSTOMER DRAWING

SCALE: 2:1 SHEET 1/1

REV	ECN	DESCRIPTION	DRFT	DATE

D

C

B

A

1

2

3

4

5

6

D

C

B

A