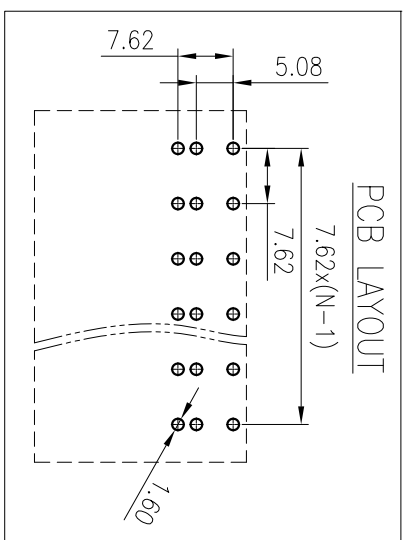
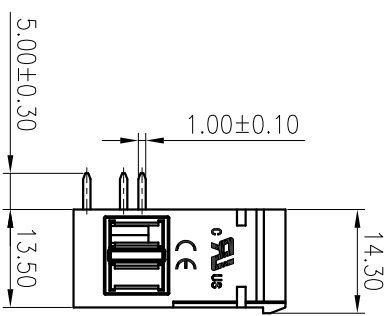
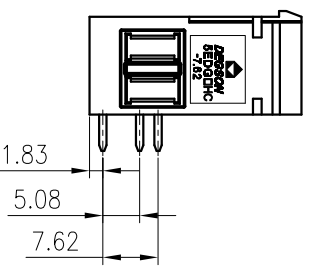
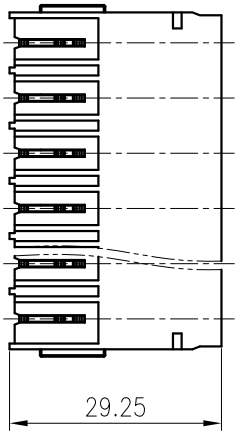
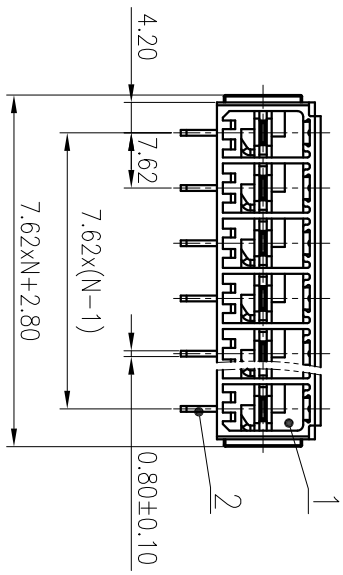


公差/General tolerances(mm)		公差/General tolerances(mm)											
0	>3	>6	>10	>18	>30	>50	>80	>120	>180	>250	>315	>400	0.1/10
~	~	~	~	~	~	~	~	~	~	~	~	~	~
3	6	10	18	30	50	80	120	180	250	315	400	500	>500
±0.12 ±0.18 ±0.22 ±0.26 ±0.31 ±0.37 ±0.51 ±0.57 ±0.80 ±0.93 ±1.05 ±1.19 ±1.60 ±2.20 ±2.50													
												±Z	



2	Pin header	Copper	Sn plated
1	Housing1	PA66	UL94V-0
ITEM	NAME OF PART	MATERIAL	NOTES
UL 标准/UL Standard:	B	C	D
额定电压/Rated Voltage(V)	300/411	150/411	150/15
EC 标准/EC Standard:			
过压类别/Overvoltage Category/污秽等级/Pollution Degree	III/3	III/2	II/2
额定电压/电压/Rated Voltage(V)/Current(A)	630/411	630/411	1000/411
额定脉冲电压(KV)/Rate Impulse Voltage(KV)	6	6	6
间距/Pitch(mm)/线数范围/Poles	7.62/N=02~12P		
使用温度范围/Operating temperature(°C)	-40~+120		
符合RoHS环保要求/Conform to RoHS	Yes		

MATERIAL:	/
MAT NO.:	/
STATUS:	/
APPD:	
CHKD:	
DRAFT:	CenMZ 2020.06.09
SIZE:	A4
TYPE:	CUSTOMER DRAWING
SCALE:	1.5:1
SHEET:	1/1

NAME: **DEGSON** 宁波高松电子有限公司
NINGBO DEGSON ELECTRICAL CO., LTD

DRAWING NO.: SEDGRHC-7.62-C01

TYPE: CUSTOMER DRAWING

REV	ECN	DESCRIPTION	DRAFT	DATE